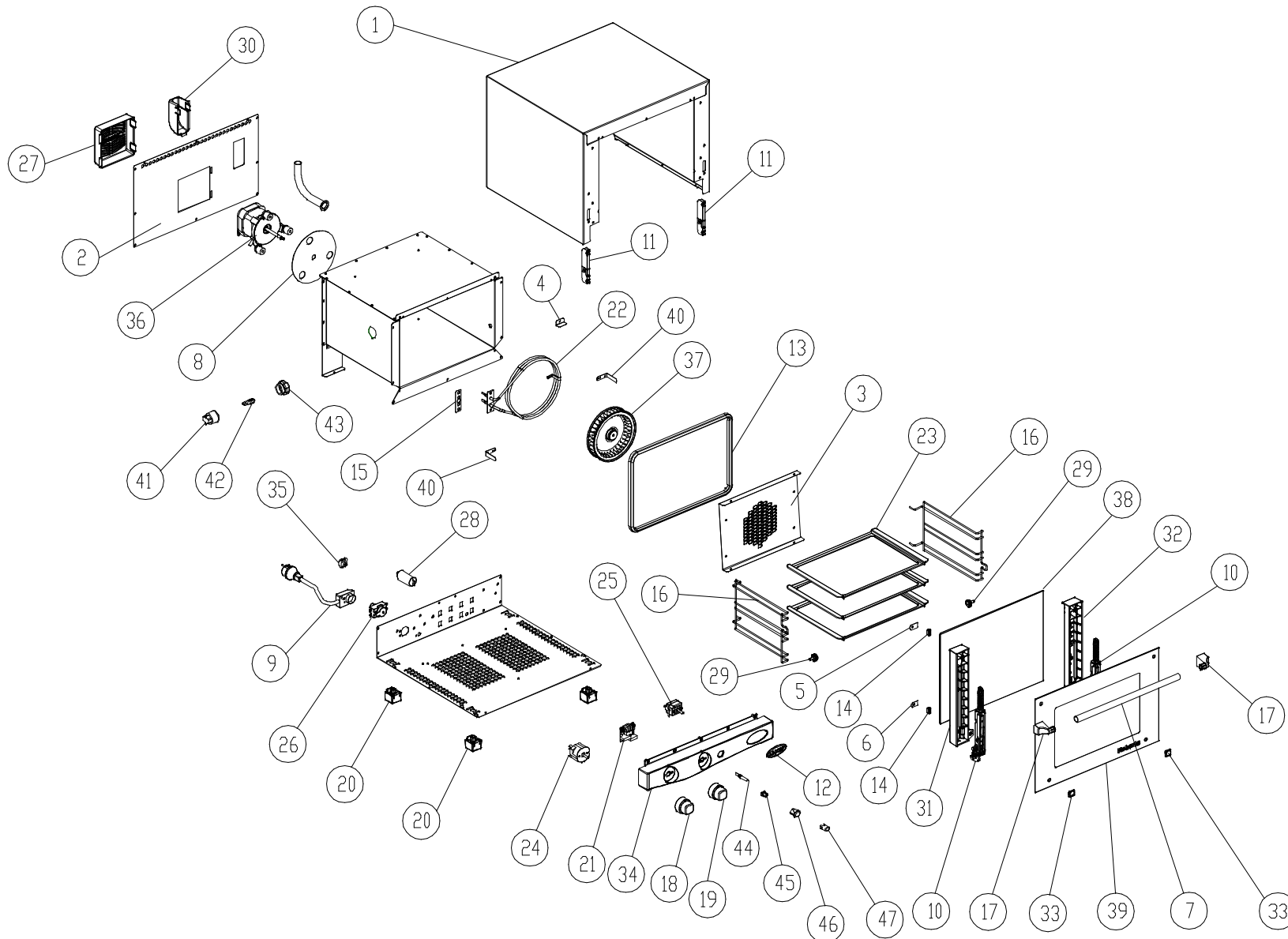


### LEGEND - LEGENDA

1	OD1575CO
2	OF1190A1
3	OG1210A0
4	OH3330A0
5	OH3110A1
6	OH3111A1
7	OH3200B0
8	OH3585A0
9	CEI16
10	CR1055A0
11	CR1070A0
12	ED1070A0
13	GN1225A0
14	GN1240A0
15	GN223
16	GRL1080B0
17	MG1015B0
18	MN1100A0
19	MN1101A1
20	PD1001A0
21	TM1000CO
22	RS010
23	TG205
24	TM1005A0
25	TRO06
26	TR254
27	VE1102A0
28	VE1145A0
29	VI1035A1
30	VM1065A0
31	VM1370A0
32	VM1371A0
33	VM1380B0
34	VM1385A0
35	VM250
36	VN1035B0
37	VN1110A0
38	VT1145A0
39	VT1146A1
40	OG1232A0
41	VE1375A0
42	VE1005A3
43	VT1200A0
44	VE177
45	VE162
46	VE164
47	VE1170A0



# MOD: XF003

# EXPLODED VIEW DISEGNO ESPLOSO



## DESCRIZIONE CODICI

1	OD1575CO	MANTELLINO INOX L. MICRO ROBERTA
2	OF1190A1	SCHIENA ZINCATA L. MICRO ROBERTA
3	OG1210A0	CARTER ARIA INOX L. MICRO ROBERTA
4	OH3330A0	ALETTA CONVOGIATRICE AISI 430
5	OH3110A1	PIASTRINA SUPERIORE FERMA VETRO
6	OH3111A1	PIASTRINA INFERIORE FERMA VETRO
7	OH3200B0	TUBO MANIGLIA D-EST=18 SP=1 L=388
8	OH3585A0	LAMIERA PROTEZIONE MOTORE ZINCATO L.M.
9	CE116	CAVO 3x1,5 H07RN-F MT1,5+K1/3+SCHUK
10	CR1055A0	CERNIERA PORTA FORNO RIBALTA L.C.
11	CR1070A0	ATTACCO CERNIERA PORTA FORNO RIBALTA
12	ED1070A0	ETICHETTA UNOX ELLISSE 78x33 ARGENTO
13	GN1225A0	GUARNIZIONE L. MICRO ROBERTA
14	GN1240A0	GUARNIZIONE COLONNINA-VETRO SILICONE
15	GN223	GUARN.PTFE+CARB 70x22x0,8sp.-c/fori 1999
16	GRL1080B0	GRIGLIA LATERALE DX/SX CROMATA
17	MG1015B0	TERMINALE MANIGLIA L.M.
18	MN1100A0	MANOPOLA SERIGR. TIMER 0-60 MIN L. MICRO
19	MN1101A1	MANOPOLA SERIGR. TERMOSTATO 80-300°C
20	PD1001A0	PIEDINO 35X35 H26 PLASTICA+GOMMA GRIGIO
21	TM1000C0	SUONERIA ELETTRONICA 15 SEC 230V
22	RS010	RES.CIRCOLARE 2560W 220-230 V
23	TG205	TEGLIA 342X242 PIANA ALLUMINIO
24	TM1005A0	TIMER MI2 60 MIN 250V 16A
25	TR006	TERMOSTATO 50-295°C 55.19052.861
26	TR254	TERM.SIC.BIP.335°C RIARMO MANUALE
27	VE1102A0	CUFFIA COPRI MOTORE IN PLASTICA
28	VE1145A0	CONDENSATORE 3,5 µF 450 Vac 50/60 Hz
29	VI1035A1	NOTTOLINO M6x12,5 CON TAGLIO OTT.CROM.FE
30	VM1065A0	CUFFIA COPRI CAMMINO FUMI L.M.
31	VM1370A0	COLONNINA SX PORTA L. MICRO ROBERTA-LISA
32	VM1371A0	COLONNINA DX PORTA L. MICRO ROBERTA-LISA
33	VM1380B0	TAPPO FISSAGGIO VETRO-PORTA L. MICRO
34	VM1385A0	CRUSCOTTO COMANDI L. MICRO ROBERTA
35	VM250	MORSETTI A PETTINE
36	VN1035B0	MOTORE SISME 230 VAC LINE MISS
37	VN1110A0	VENTOLA Ø162 H= 32 32 PALE INOX
38	VT1145A0	VETRO INTERNO 392X292X4 BETFL
39	VT1146A1	VETRO ESTERNO SER. 470X312X4 CHIARO
40	OG1232A0	DISTANZIALE CARTER L.MICRO
41	VE1375A0	PORTALAMPADA ALOGENA FASTON MASCHIO 45°
42	VE1005A3	LAMPADA HALOPIN 25W
43	VT1200A0	VETRO COPRILAMPADA BOROSILICATO LMICRO
44	VE177	LUCE SPIA FLUORO STD 230V
45	VE162	SUPPORTO LAMPADA INTERNO
46	VE164	GEMMA VERDE TERMOMETRO ORO
47	VE1170A0	SUPPORTO D16 ELLITTICO NICHEL OPACO

## DESCRIPTION

1	OD1575CO	
2	OF1190A1	ZINCED BACK PANEL L. MICRO ROBERTA
3	OG1210A0	STAINLESS STEEL FAN GUARD L. MICRO
4	OH3330A0	AISI 430 CONVEYOR FLAP L. MICRO ROBERTA
5	OH3110A1	STAINLESS STEEL UPPER PLATE TO
6	OH3111A1	STAINLESS STEEL LOWER PLATE TO
7	OH3200B0	
8	OH3585A0	ZINCATE MOTOR GUARD PLATE L.M.
9	CE116	EL.CABLE 3x1,5 H07RN-F MT1,5+K1/3+SCHUKO
10	CR1055A0	HINGE L.C. ROBERTA
11	CR1070A0	HINGE LATCH L. C.
12	ED1070A0	UNOX ELLIPTICAL STICKER 78x33-SILVER
13	GN1225A0	L. MICRO ROBERTA DOOR GASKET
14	GN1240A0	BLACK SILICON SEAL FOR COLUMN-GLASS
15	GN223	GASKET PTFE+CARB 70x22x0,8sp.-w/holes
16	GRL1080B0	
17	MG1015B0	HANDLE END L.M.
18	MN1100A0	SERIGR. 0-60 MIN TIMER KNOB L. MICRO
19	MN1101A1	SERIGR. 80-300°C THERMOSTAT KNOB
20	PD1001A0	FOOT 35X35 H26 GREY PLASTIC+RUBBER
21	TM1000C0	
22	RS010	CIRC. HEAT. ELEMENT 2560W - 220-230 V
23	TG205	TRAY 342x242 FLAT ALUMINIUM
24	TM1005A0	TIMER MI2 60 MIN 250V 16A
25	TR006	THERMOSTAT 50-295°C 55.19052.861
26	TR254	SECURITY THERMOSTAT BIP. 335°C
27	VE1102A0	PLASTIC COVER FOR MOTOR L.M. CRI-STE-ARI
28	VE1145A0	CONDENSER 3.5 µF 450 Vac 50/60 Hz
29	VI1035A1	CHROMIUM PLATED BRASS NUT M6x12,5
30	VM1065A0	PLASTIC COVER FOR FUMES CHIMNEY L.M.
31	VM1370A0	LEFT DOOR COLUMN L. MICRO ROBERTA-LISA
32	VM1371A0	RIGHT DOOR COLUMN L. MICRO ROBERTA-LISA
33	VM1380B0	
34	VM1385A0	CONTROL PANEL L. MICRO ROBERTA
35	VM250	"COMB" TERMINAL BOARD
36	VN1035B0	230 VAC MOTOR LINE MISS
37	VN1110A0	STAINLESS STEEL FAN Ø162 H= 32 32 FLAPS
38	VT1145A0	INNER GLASS 392x292x4 BETFL
39	VT1146A1	SERIGR. EXTERNAL GLASS 470x312x4
40	OG1232A0	
41	VE1375A0	
42	VE1005A3	HALOGEN LAMP 33W ENERGY SAVER
43	VT1200A0	
44	VE177	FLUORINE WARNING LIGHT STD 230V
45	VE162	INTERNAL PILOT LAMP SUPPORT
46	VE164	GREEN PILOT WITH GOLD THERMOMETER
47	VE1170A0	OPAQUE NICKEL ELLIPTICAL SUPPORT D16

**MOD: XF003**

**EXPLODED VIEW  
DISEGNO ESPLOSO**

