

DIGITAL STAND + TOTEMVISTA 700-1100

24" All in One Digital Stand with Adjustable Stand
In height and inclination

Ref. TDV0239

Pack that includes the 24" All-in-One multi-touch digital stand with Android OPS and TicDvision TotemVista support adjustable in height and tilt, ideal for point of sale, public information spaces or for multi-touch collaboration in education or business.



ALL IN ONE CHARACTERISTICS

- 24" Smart display.
- 10-point multi-touch screen.
- Powerful quad-core processor.
- Surface hardness of 7H.
- OPS Android integrated.
- Equipped with Wi-Fi, Bluetooth and RJ45.
- 4 USB ports.
- Possibility to block the application in use to avoid the manipulation of the equipment.
- Possibility of displaying commercial information when the equipment is at rest.

TOTEMVISTA CHARACTERISTICS

- Height from 70 to 110 cm.
- Tilt from 30 ° to 90 ° (horizontal).
- Compatible with Vesa 100/200 screens.
- Integrated support for OPS / NUC.
- Rear cable outlet or ground.
- Optionally fixed to floor or wheels.
- Colors to choose (minimum for 10 units).
- Customizable with customer logos or special design.

EXAMPLES OF USE



Information point



Restaurant menu and hotel services



Interactive eCommerce in physical store



Dynamic Advertising



Collaboration in education



Digital industrial control



ATLANTIC DEVICES

www.atlanticdevices.com

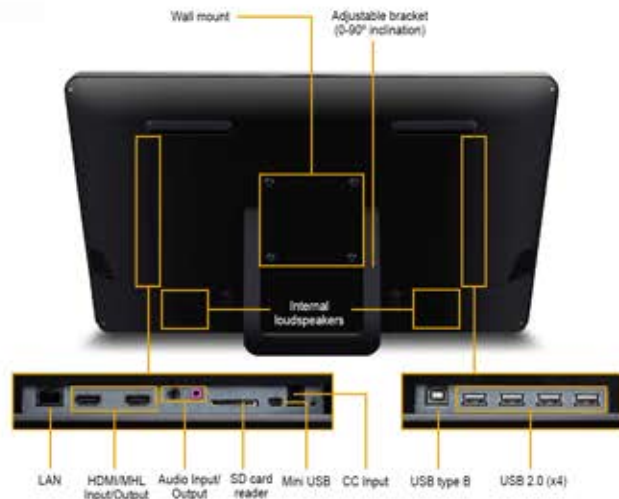
North Delegation

Innovació, 2
08711 Odena (BCN)
902 09 06 63 / 93 804 07 02
info@atlanticdevices.com

Center Delegation

Pensamiento, 27 Esc. Izq. 3º3ª (Cuzco)
28020 Madrid
+34 691 658 005
fernando@atlanticdevices.com

• 24" All in One Display

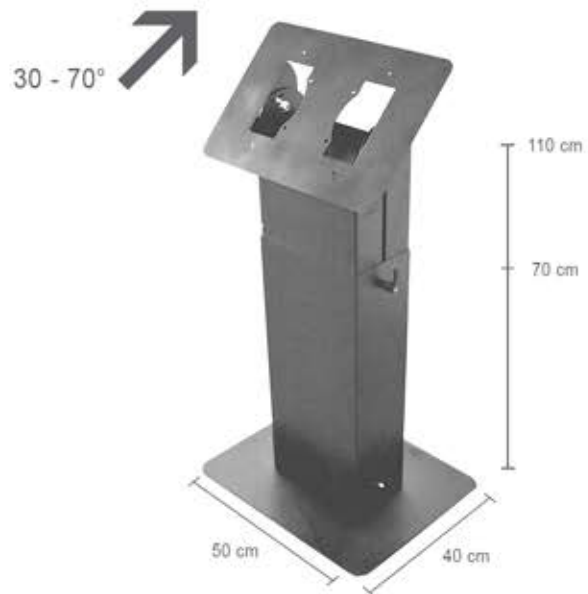


SYSTEM	CPU Processor OS System memory Storage Memory Internal microphone	Rockchip RK3288 Cortex-A17 Quad-Core 1.8GHz Android 5.1 DDR3 2GB 16GB eMMC Echo Removal
SCREEN	Type Display Area Optimal resolution Brilliance Contrast Ratio Viewing angles Response time Backlight Touch panel	Color active matrix TFT LED with IPS 20.5" horizontal x 11.5" vertical, 23.6" diagonal 1920 x 1080 250 cd / m2 3000: 1 (tip.) 178° horizontal, 178° vertical 18 ms (GTG) LED with white light Projected 10-point capacitive touch technology
INPUT/OUTPUT	USB HDMI Card reader LAN / Ethernet Audio Power External Front camera	Type A (x2, 0 x4), type B (x1), Mini USB Input / Output (MHL) SD card RJ45, WiFi 802. 11 b / g / n, Bluetooth 4.0 3.5mm headphone jack, 3.5mm microphone jack DC input connector (DI 1.7 mm, 4 mm OD) 2.5 W (x2) 5.0MP - HD 1080p

COMPATIBILITY	PC Mac	Compatible with PC (VGA up to 1920x1080 non-interlaced) N / a
POWER	Voltage Consumption	AC-DC power (input: 100V ~ 240V / Output: DC 12V, 4.0A) 48 W (tip)
ERGONOMICS	Inclination	0°-90°
OPERATING CONDITIONS	Temperature humidity	32-95°F (0-35°C) 20-90 % (sin condensación)
DIMENSIONS (W x H x D)	Physics based Packing	22,6 x 13,9 x 1,9 in / 572,9 x 351,8 x 47 mm 24,7 x 15,6 x 4,9 in / 628 x 395 x 125 mm
WEIGHT	Net weight Gross weight	12,3 lb / 5,6 kg 15,75 lb / 7,2 kg
WALL MOUNT	VESA Compatible	100 x 100 mm
WALL MOUNT		CE, CB eTUVus, FCC-B (included ICES003, CAIC, NOM, China CCC, CEL Gost-R, FAC, WEEE, RoHS, REACH, ERP, Argentina CNC, AR-S
RECYCLING / DISPOSAL		Dispose of in accordance with local, state, or federal laws.
WARRANTY		3-Year Limited Warranty for Parts, Labor and Backlight

• TotemVista

MOUNTING	Detachable in 3 pieces for transport
DIMENSIONS	H:70-110 cm W:50 cm D:40 cm
WEIGHT	25 kg Weight limit up to 50 kg
ERGONOMICS	30°- 70°
SCREENS	Suitable for screens from 22" to 55"
MATERIAL	Steel sheet with electrostatic painting
FIXATION	Floor or wheels (optional)
COLOR	Negro. Color and / or design to choose from 10 units.



Distributor: