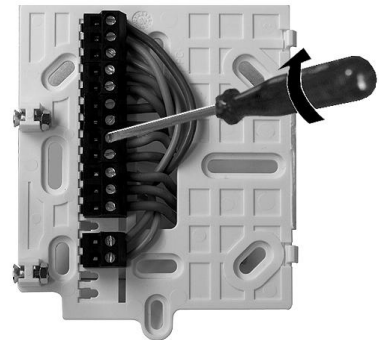
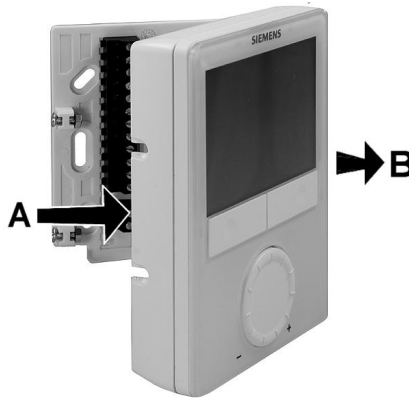
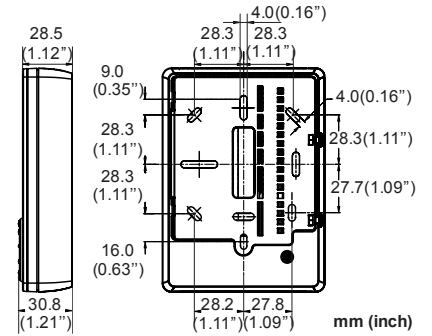
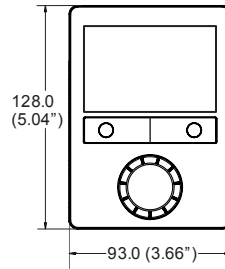
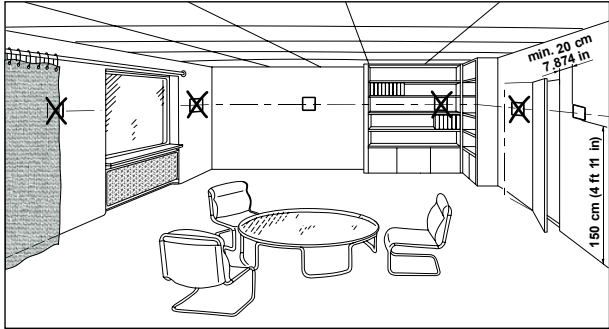


**Institut  
Automatització, S.L.**  
c\ Gomis, 29-33, 08023 BARCELONA  
Tel.: 93 454 20 06 iac@instauto.com  
Fax: 93 323 70 59 www.instauto.com

www.**TODO-CONTROL**.com  
SOLUCIONES PARA AUTOMATIZACIÓN Y CLIMATIZACIÓN

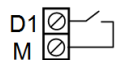
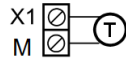
## RDG160T



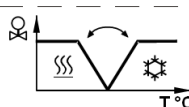
Max. 1 x 2.5 mm<sup>2</sup> (1 x 14 gauge)  
Max. 2 x 1.5 mm<sup>2</sup> (2 x 16 gauge)



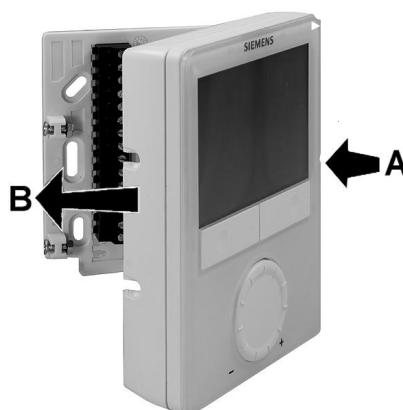
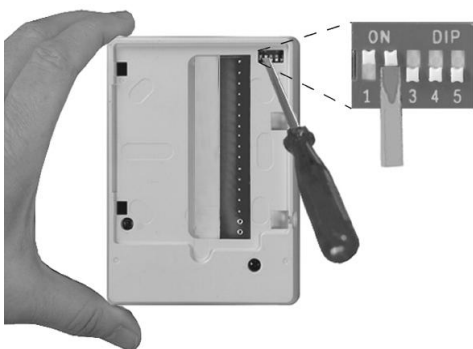
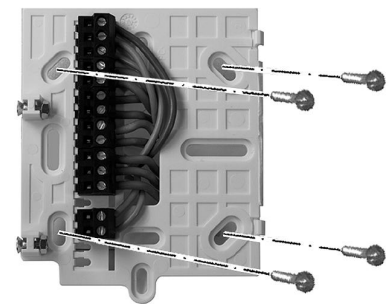
Max. 80 m (262 feet)

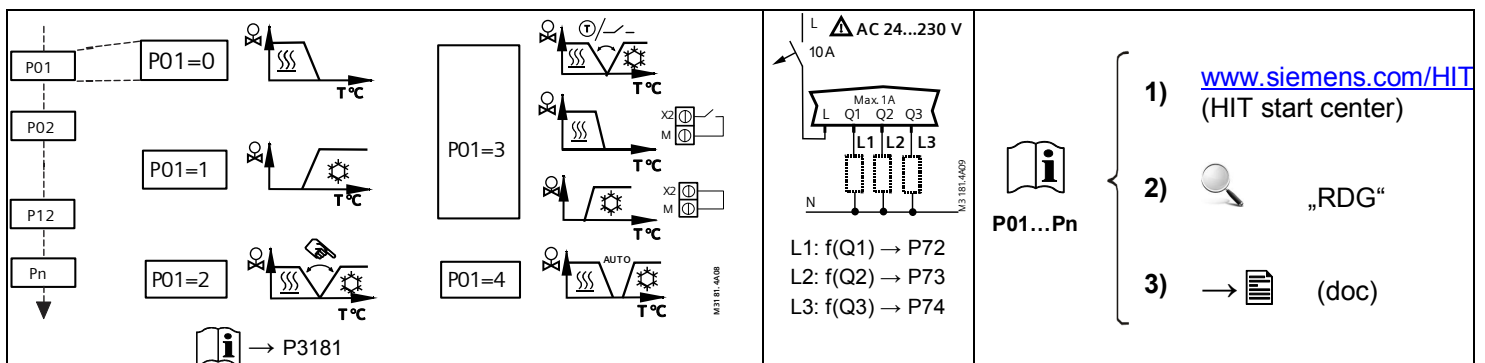
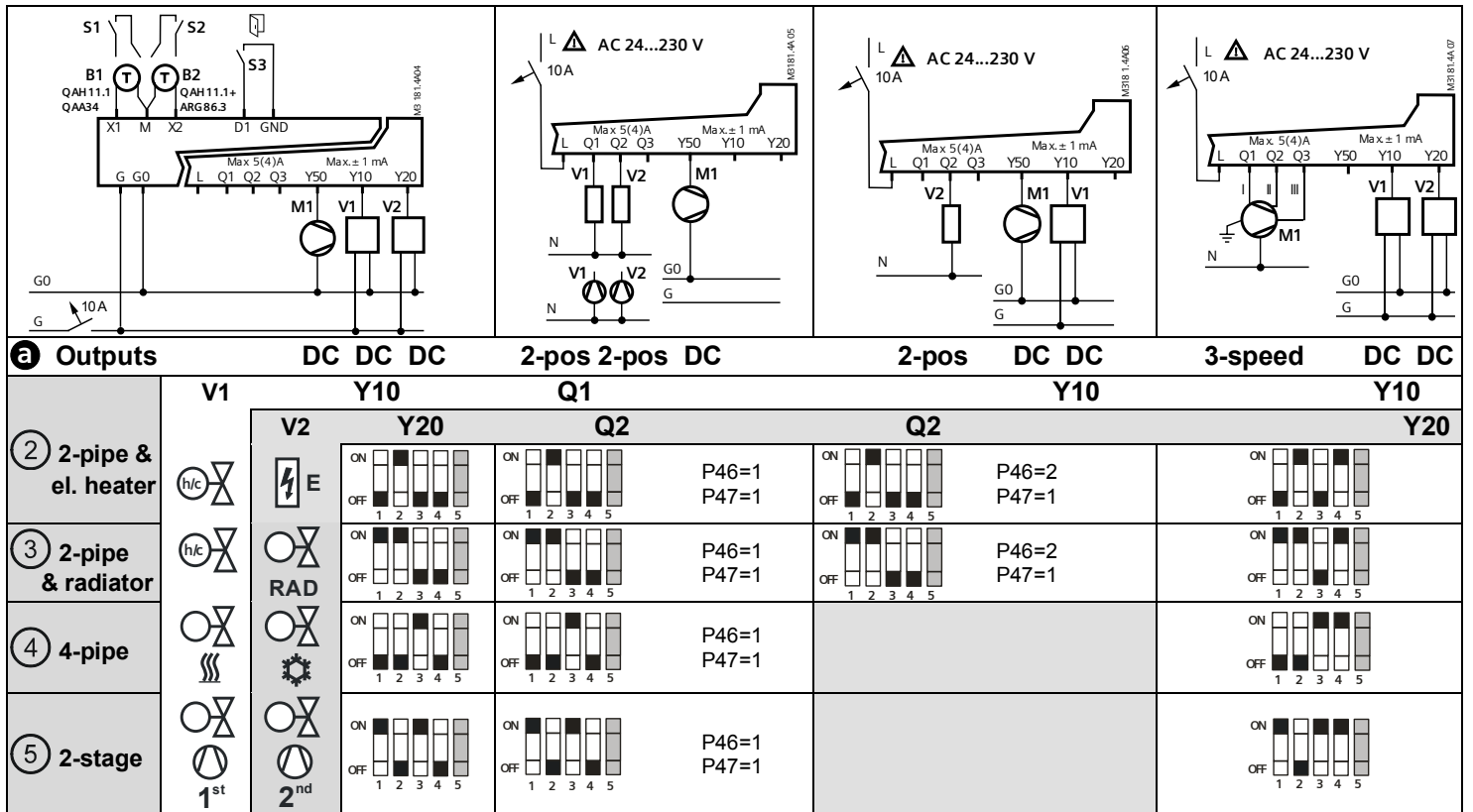
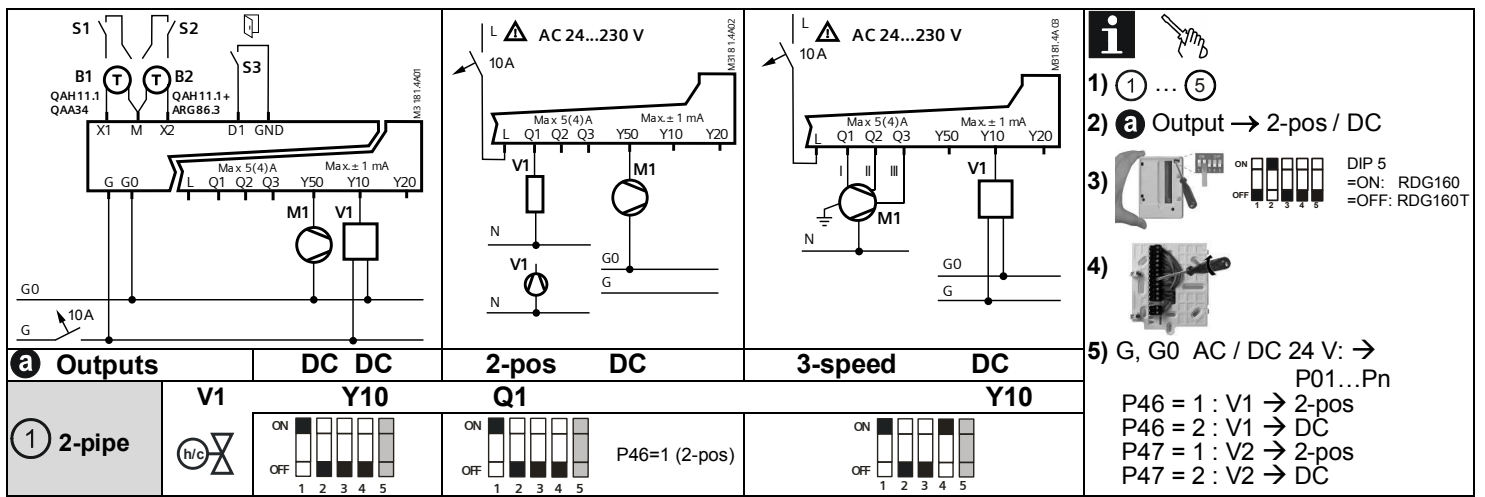


P3181



3181Z111





|   | en                  | de                               | fr  | it                                     | es                          | cs                              | tr                      |
|---|---------------------|----------------------------------|---|--|-----------------------------|---------------------------------|-------------------------|
| 1 | 2-pipe fan coil     | 2-Rohr Ventilator-konvektor      | Ventiloconvecteur 2 tubes                 | Fan coil 2 tubi                        | Fancoil a dos tubos         | 2-trubkový fan-coil             | 2 borulu fan coil       |
| 2 | 2-pipe & el. heater | 2-Rohranwendung & Elektroheizung | Application 2 tubes & batterie électrique | Fan coil 2 tubi con batteria elettrica | 2 tubos & batería eléctrica | 2-trubkový fan-coil & el. ohřev | 2 borulu & elk. Isıtıcı |
| 3 | 2-pipe & radiator   | 2-Rohranwendung & Radiator       | Application 2 tubes & radiateur           | Fan coil 2 tubi e radiatore            | 2 tubos & radiador          | 2-trubkový fan-coil & radiátor  | 2 borulu & radyatör     |
| 4 | 4-pipe fan coil     | 4-Rohr Ventilator-konvektor      | Ventiloconvecteur 4 tubes                 | Fan coil 4 tubi                        | Fancoil a 4 tubos           | 4-trubkový fan-coil             | 4 borulu fan coil       |
| 5 | 2-stage             | 2-Stufen-Anwendung               | Application à 2 étages                    | 2 stadi                                | 2 etapas                    | 2-stupňový                      | 2 kademe                |