

CM507 PROGRAMMABLE THERMOSTAT

PRODUCT SPECIFICATION SHEET



The **CM507** thermostat is designed to provide automatic time and temperature control of heating systems in villas and apartments.

It can be used as part of a system in conjunction with gas boilers, pump and zone valves

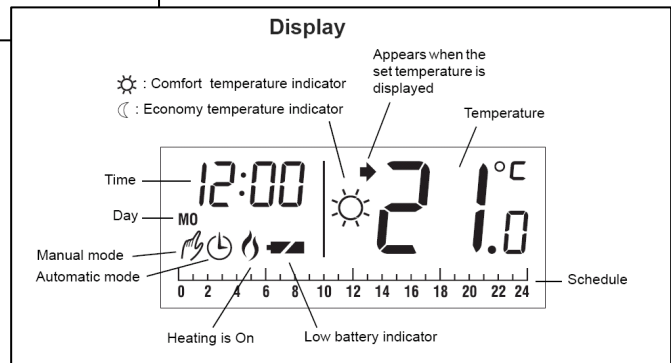
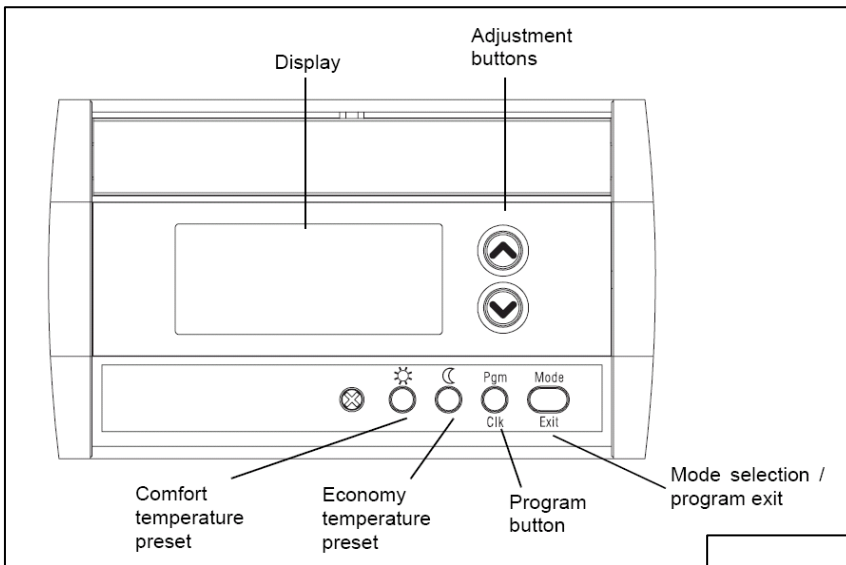
The **CM507's** large and clear temperature display provides information about target and room temperature

The unit is ideal for consumers who want simple energy saving thermostat for their home.

FEATURES

- Subtle, unobtrusive styling and compact design makes it ideal for location in any home.
- Advanced temperature control ensures total comfort by minimising temperature swings.
- 7 day heating program.
- Comfort / Setback temperature setting that can be switched between every hour to suit your lifestyle.
- Time-line (bar graph) display facilitating programming.
- Selectable cycles mean thermostat can be optimised to the heating system.
- Temporary programmed temperature override to temporarily override the programmed temperature till the next switch point.
- 24...230V 5A resistive, 2 A inductive SPST relay provides compatibility with various domestic central heating systems.
- Battery powered by 2 x AA size (LR6) alkaline cells.
- Minimum battery life of 2 years with low battery warning indicator.
- Built-in default heating program.
- Automatic and Manual operating modes.
- Installer Set-Up Mode.

CONTROLS/ DISPLAY LAYOUT



SPECIFICATIONS

Batteries	: 2 x 1.5 V IEC LR6 (AA) Alkaline cells
Battery life	: Minimum 2 years (Duracell MN1500)
Battery replacement	: Program retained in EEPROM
Switch type	: SPST (potential free)
Electrical rating	: 230 V~, 50...60 Hz, 5 A resistive 2 A inductive (0.6 pf) 24 V~, 50...60 Hz, 5 A resistive 2 A inductive (0.6 pf)
Time display	: 24 hour or AM/PM format
Time keeping accuracy	: Typically better than 12 minutes per year
Program	: 7-day with 24 daily time and 2 temperatures level changes
Time setting resolution	: Time of day - 1 minute Program - 1 hour steps
Sensing element	: 10K (@ 25 °C) NTC thermistor
Temperature setting range	: Program : 5 to 28°C in 0.5 °C steps

Room Temperature display range	: From 0°C to 50°C
Control form	: Adaptive dead band
Minimum ON time	: No
Cycle rate	: 2 to 6, (4 default). Selectable through the installer set up.
Wiring	: Terminal block capable of accepting wires up to 2.5 mm ²
Wire access	: Access behind the wall plate. Thermostat and wall plate can be separated to access the connectors
Dimensions	: 127 x 75 x 27 mm (w x h x d)
Environmental	: Operating temperature range 0 to 50°C Shipping and storage temperature range -20 to 55°C Humidity range 0 to 90% rh, non-condensing
Approvals	: Designed to meet European EN approvals EN60730-1(1999)

INSTALLER / CONFIGURATION MENU

To enter the installer set-up mode:

- a) Press the TEMP ▲ and ▼ buttons together at the same time for 3 seconds.
- b) The unit will display the first parameter in the configuration menu.
- c) To go to the next parameter **briefly** press the TEMP ▲ and ▼ buttons at the same time.
- d) To modify a parameter press the TEMP ▲ or ▼ buttons.
- e) To exit the installer set-up mode, press the TEMP ▲ and ▼ buttons together at the same time for 3 seconds.



In Installer set-up mode we can:

- Set-up specific applications.
- Enable special features.

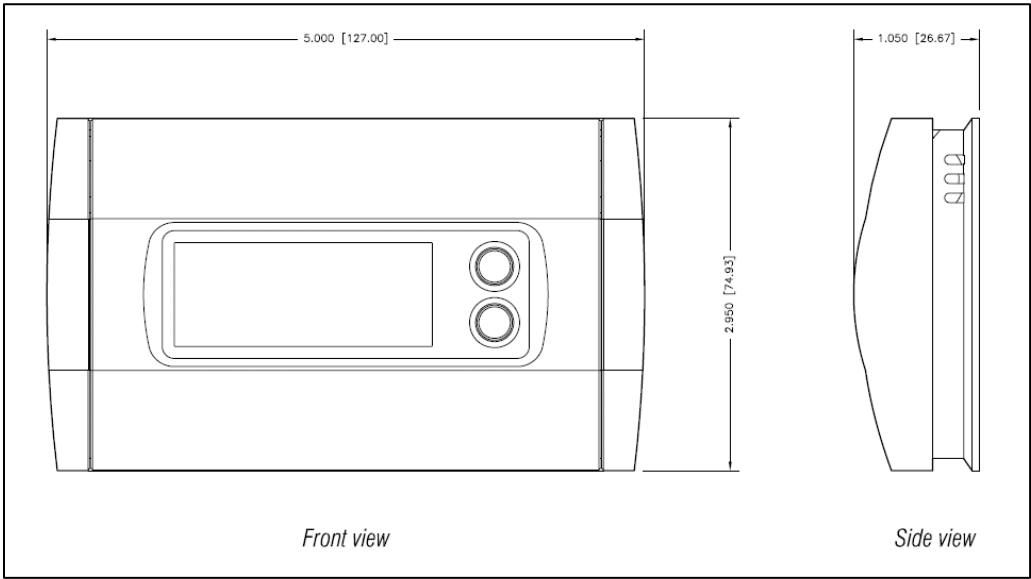
Specific Applications		Setting	What do you need to change?
		Cycle/ Hour	Note : To change the number of cycles per hour, please go to the ' C PH ' parameter in the configuration menu.
Heating	Zone Valve	6	Set the number of cycles per hour to 6.
	Oil Boiler	3	Set the number of cycles per hour to 3.

Special Features	Description	What to do if we wish this feature
AM-PM/ 24hr Display	Change the time display format (default 12hr).	Please go to the ' Hr ' parameter in the configuration menu. Change the setting to 24.
Pump Protection	When Pump Protection in ON the thermostat will activate the heating system for 15 seconds each day if it has not been activated for the past 24 hours.	Please go to the ' PP ' parameter in the configuration menu. Change the setting to ON.

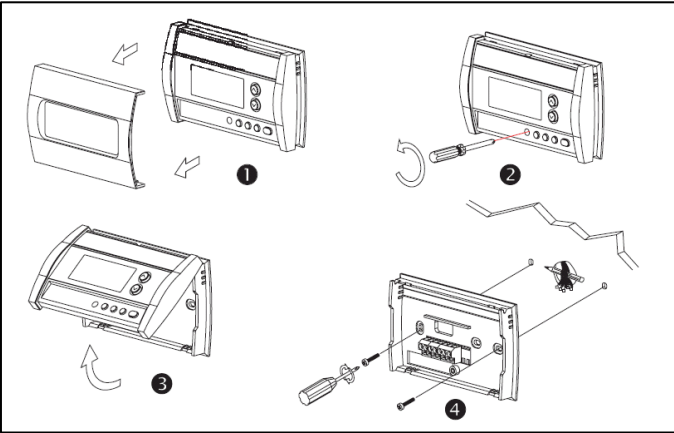
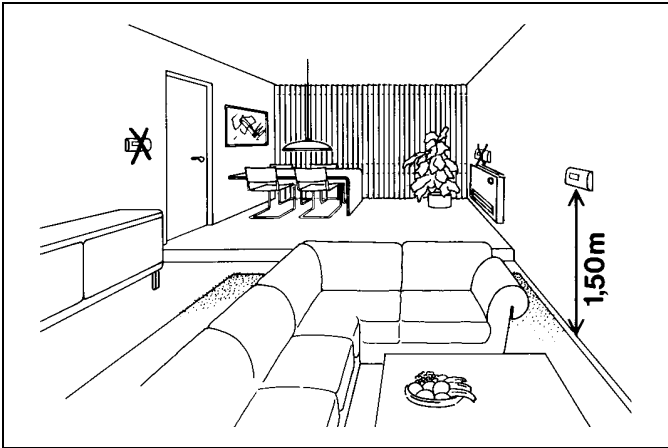
INSTALLER / CONFIGURATION SETTINGS

Parameter	Configuration Number / Abbreviation (Press or - keys to select)	Factory Setting		Optional Setting	
		Setting	Description	Setting	Description
AM-PM / 24hr Display	Hr	12	12 hr AM / PM clock display	24	24hr clock display
Pump Protection	PP	OFF	Pump Protection Disabled	ON	Pump Protection Enabled
Cycle Rate	C PH	4	4 cycles per hour (cph)	2, 3, 4, 5 or 6	2 = 30 min., 3 = 20 min., 4 = 15 min., 5 = 12 min., 6 = 10 min.

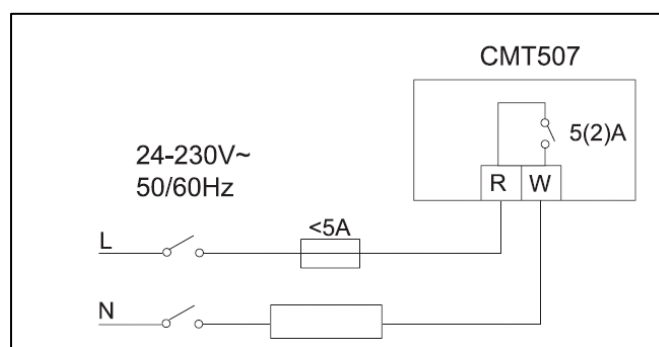
DIMENSIONS



INSTALLATION



WIRING



ORDERING SPECIFICATION

Description	Model	Logo	Literature	Spec Sheet
7-day programmable thermostat	CMT507A1007	Honeywell	Italian, Spanish, Portuguese, French, Romanian, Slovakian, Czech, Polish, English.	ENOH8550



Institut
Automatització, S.L.

c\ Gomis, 29-33, 08023 BARCELONA

Tel.: 93 454 20 06
Fax: 93 323 70 59

iac@instauto.com
www.instauto.com

www.
TODO-CONTROL.com
SOLUCIONES PARA AUTOMATIZACIÓN Y CLIMATIZACIÓN

Honeywell