

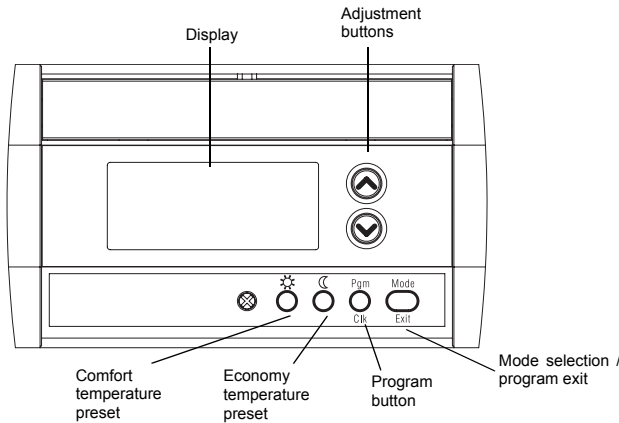
## 1 Introduction

### 1.1 Description

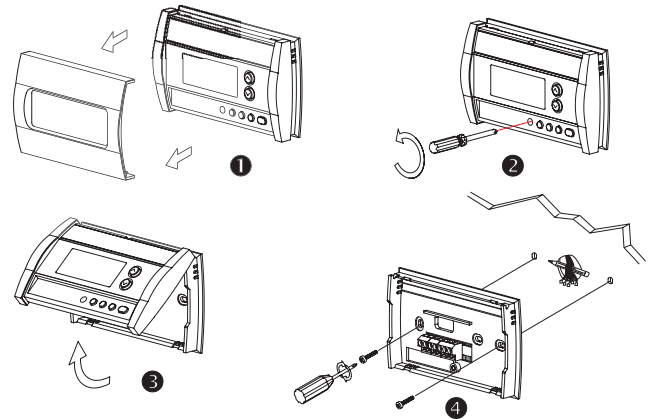
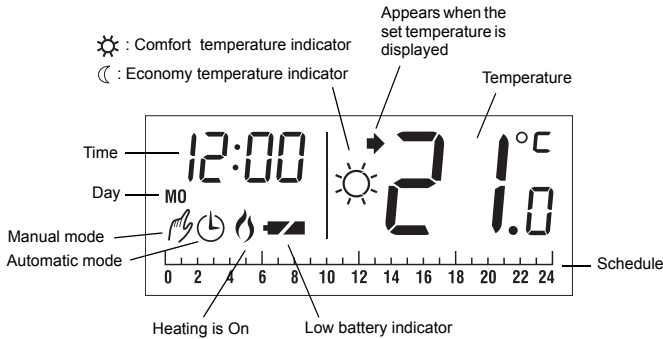
The Honeywell CM507 is a programmable room thermostat designed to control your heating system efficiently. The following instructions explain how to install, program and use the CM507.

### 1.2 Features

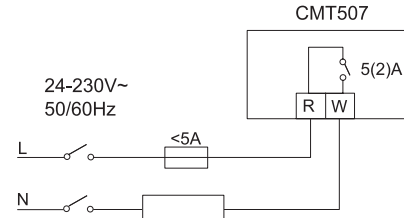
- 7-day heating program with factory default energy saving schedule
- Time-line display facilitating programming
- Subtle, unobtrusive styling matching variety of room decors



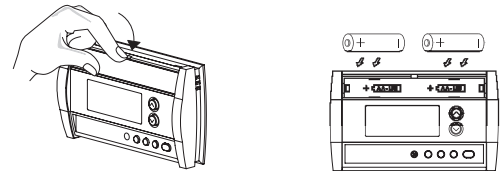
### Display



### 2.2 Wiring



### 2.3 Installing the Batteries

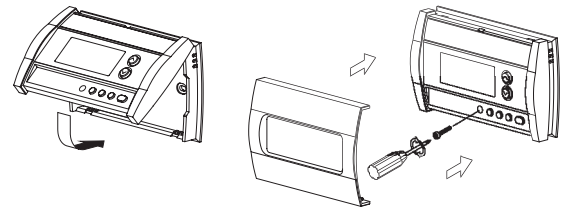


#### Use Alkaline batteries only!

After the batteries are installed, the thermostat performs a series of tests for approximately 5 seconds.

Once installed on the wall, the thermostat will display the ambient temperature. The time and day settings flash to indicate that they must be set (see section 4.1).

### 2.4 Completing the Installation



## 2 Installation

**NOTE:** The installation must be performed by an electrician or a qualified installer.

### 2.1 Baseplate Installation

Choose a location approximately 1.5 m above the floor and on an inside wall. Avoid draughty areas (top of staircase, air outlet, etc.), dead air spots (behind doors), direct sunlight or areas near concealed pipes or chimneys.

## 3 Basic Functions

### 3.1 Displaying the Temperature

The measured temperature is normally displayed. To view the set temperature, press once on either of the ☉ ☽ buttons. The set temperature is displayed for 5 seconds along with the ➔ icon.

**NOTE:** Pressing either of the ☉ ☽ buttons more than once will change the set temperature.

## 3.2 Setting the Temperature

Press one of the buttons until the desired temperature is displayed.

## 3.3 Comfort and Economy Temperatures

The thermostat has 2 preset temperature buttons:

- Comfort temperature
- Economy temperature

To set the thermostat at the comfort temperature or economy temperature, press the corresponding preset button. The corresponding symbol will be displayed.

The following table shows the use and the factory setting of each preset button.

Button	Intended Use	Default Setting
	Comfort (when the occupant is awake and at home)	21°C
	Economy (when the occupant is absent or asleep)	17°C

To modify the comfort or economy temperature:

- 1 Set the desired temperature using the buttons.
- 2 Press and hold the appropriate preset button until the corresponding symbol is displayed.

## 3.4 Control Mode

### 3.4.1 Manual

Use this mode to set the temperature at a fixed value. To use this mode, press **Mode** to display and set the desired temperature using the buttons or the buttons.

### 3.4.2 Automatic

Use this mode to set the temperature according to the energy-saving schedule (see section 4.2). To place in Automatic mode, press **Mode** to display .

#### Temporary Override

If you modify the temperature when the thermostat is in automatic mode, the new temperature will be used for the next 2 hours. Afterwards the thermostat will return to the automatic mode settings. The icon flashes during the override period.

## 3.5 Battery Indicator

An icon appears when the batteries need replacement. This icon will flash for 60 days, then the thermostat will cut power to the heating system. The icon disappears once the batteries are replaced.



After replacing the batteries, readjust the time and day (see section 4.1).

## 4 Programming

### 4.1 Setting the Time and Day

- 1 Press **Clk** for 3 seconds. The hour display flashes.
- 2 Set the hour using .
- 3 Press **Clk**. The minute display flashes.
- 4 Set the minutes using .
- 5 Press **Clk**. The day display flashes.
- 6 Set the day using .
- 7 Press **Exit** to exit the programming mode.

## 4.2 Energy-saving Schedule

When the thermostat is placed in automatic mode, it switches between the comfort temperature and economy temperature according to the programmed schedule. You can set a different program for each day of the week. The pre-programmed schedule is as follows:

Monday to Friday	comfort :	Economy :
	6:00 to 8:00 18:00 to 22:00	8:00 to 18:00 22:00 to 6:00
Saturday and Sunday	Comfort :	Economy :
	6:00 to 22:00	22:00 to 6:00

### 4.3 Modifying the Schedule

- 1 If not already done, set the comfort and economy temperatures (see section 3.3)
  - 2 Press **Pgm**. The program for Monday will appear and the first hour period (0:00 a.m. to 1:00 a.m.) is selected (flashes).
- NOTE:** Note: If you wish to use the same program every day, press **Pgm** for 3 seconds to select all the days of the week.
- 3 Press or button to advance to the next or preceding hour period respectively.
  - 4 Select the comfort or economy temperature by pressing on the corresponding button ( or .
  - 5 Repeat steps 3 and 4 for each switch point.
  - 6 To modify the program for another day, press **Pgm** until the day is selected and repeat steps 3 to 5.
  - 7 Press **Exit** to exit the programming mode.

## 5 Configuration Menu

- 1 To access the configuration menu, press the and buttons simultaneously for 3 seconds.
- 2 To go to the next parameter (menu item), briefly press the and buttons simultaneously.
- 3 To modify a parameter, press or .
- 4 Repeat steps 2 and 3 if necessary.
- 5 Press the and buttons simultaneously for 3 seconds to exit the configuration menu.

DISPLAY	DESCRIPTION	DEFAULT	SELECTIONS
Hr	Time Display	12 h	12 h or 24 h
PP	Pump Protection <sup>1</sup>	Off	On or Off
[ PH	Number of cycles per hour	4	2, 3, 4, 5 or 6

<sup>1</sup> When pump protection is On, the thermostat will activate the heating system for 15 seconds if it has not been activated for the past 24 hours.  
<sup>2</sup> The corresponding cycle lengths are: 2=30 min., 3=20 min., 4=15 min., 5=12 min., 6=10 min. Select the cycle according to the type of heating:  
 Gas boiler <30k W - 10 minutes  
 Oil boiler - 20 minutes



Institut  
Automatització, S.L.

c\ Gomis, 29-33, 08023 BARCELONA

Tel.: 93 454 20 06  
Fax: 93 323 70 59

iac@instauto.com  
www.instauto.com

www.  
**TODO-CONTROL**.com  
SOLUCIONES PARA AUTOMATIZACIÓN Y CLIMATIZACIÓN