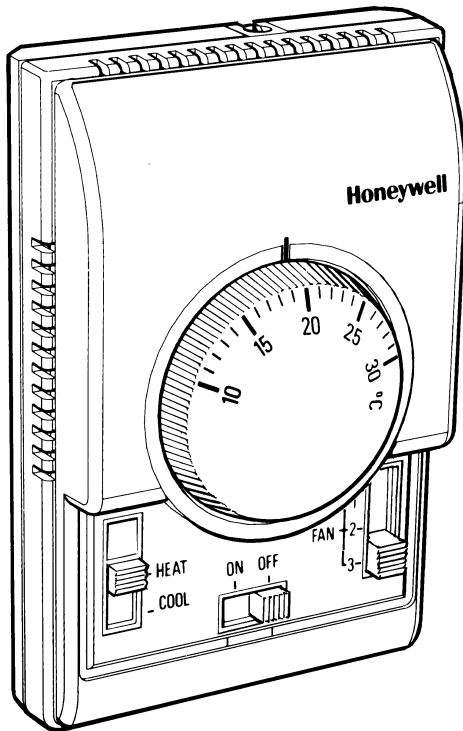


XE70 SERIES

T6370/T6371 FAN-COIL THERMOSTATS FAN ONLY CONTROL

PRODUCT SPECIFICATION SHEET



The T6370 and T6371 are designed to control the fan only in fan-coil or ventilation applications.

In all cases the thermostat cycles the fan to provide control at the desired setpoint temperature.

Versions are available with a manual 3-speed fan switch, and with a system on-off switch.

Heat/cool changeover operation is also possible on some versions. This function can be accomplished by a manually operated heat/cool switch on the front of the thermostat. A version for 2-pipe fan-coil units allows automatic heat/cool changeover by connection of a pipe thermostat on the supply water pipe of the fan-coil.

FEATURES

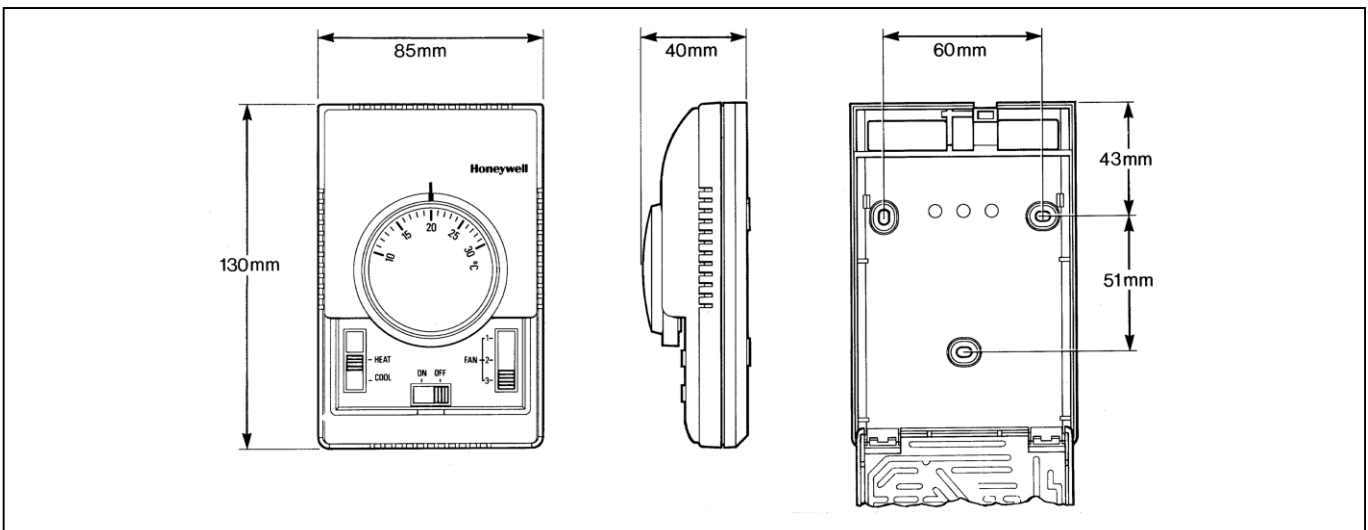
- Dual diaphragm sensing element ensures close temperature control for all loads and applications
- Attractive modern styling makes this thermostat ideal for locating in the occupied space, particularly in offices or hotels
- All versions have heat anticipator, which improves temperature control in both heating and cooling operation
- Thermostat mounts directly onto a wall or conduit box
- Slide switches allow manual control of system operation and fan speed
- Auto heat/cool changeover possible (on one version) by using pipe thermostat
- Optional extras available are :
 - range stops F42006646-001 (20 per pack, enough for 10 thermostats)

SPECIFICATIONS

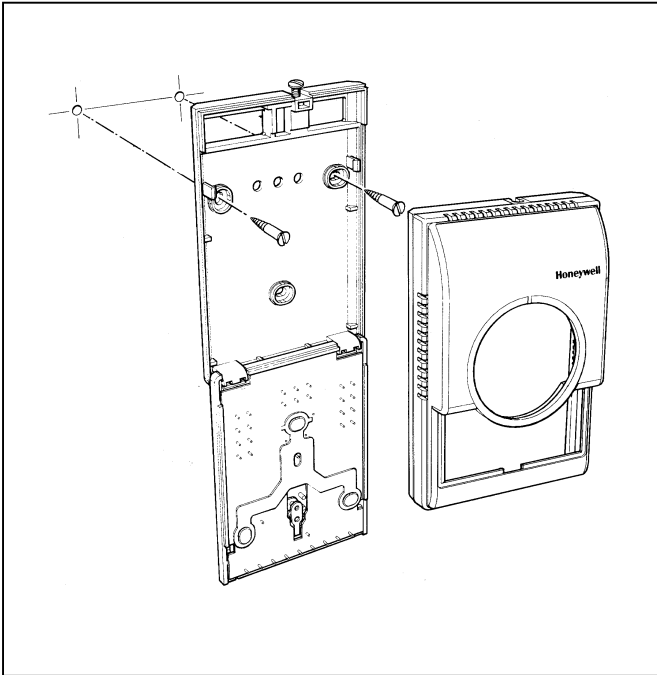
Model	Switches							Features	
	ON/OFF (SPST)	3-speed Fan (SPTT)	Fan/ Auto/Cont (SPDT)	Heat/Cool (SPDT)	Heat/Cool (DPDT)	Heat/Off/ Cool (DPTT)	Heat/Fan/ Cool (DPTT)	Fixed Deadband	Auto Change- over (Aquistat)
T6371A1019	☐	☐							
T6371B1017	☐	☐		☐					
T6371C1015	☐	☐							☐

- Setpoint range : 10...30°C. By means of a large setpoint dial
- Supply voltage : 230 V~, 50...60 Hz
- Thermostat switch : S.P.D.T.
- Performance : Typical differential 1°C (heating & cooling) at 20°C at 50% load with anticipator connected
- Electrical ratings : 4(2) A, 230 V~
Typical loads are fans
- Operational life : Greater than 100,000 cycles (all loads) for thermostat contacts at 230 V~ Greater than 6,000 operations for all manually operated switches
- Mounting : Mounts directly onto wall or wall-box (mounting screws supplied)
- Wiring : Up to 8 screw-in terminals per unit, capable of accepting wires up to 1.5 mm²
- Enclosure : Plastic 2-piece housing
- Dimensions : 85 x 130 x 40 mm (w x h x d).
- Protection class : IP30
- Environmental requirements : Operating temperature range 0 to 40°C
Shipping and storage temperature range -20 to 50°C
Humidity range 0 to 90% rh, non-condensing
- Approvals : The XE70 range is CE, RoHs and WEEE compliant. For regulatory information, DoC / CoC D0046 is available on request
Product must be wired as shown for CE compliance.

DIMENSIONS



INSTALLATION



Location

The XE70 Series thermostat is the temperature control element in the fan-coil or air-conditioning system, and must be located in a position with good air circulation, on an inside wall about 1.5 m above the floor to sense the average temperature. Do not position the thermostat in draughts, near hot or cold air sources or where it will be affected by radiant heat from the sun or other appliances.

Mounting the thermostat

Any XE70 Series thermostat can be directly mounted on the wall or on a conduit box (see diagram). Mounting screws are supplied for both alternatives.

Wiring the thermostat

The standard wiring access is via a hole in the base of the thermostat, near the top edge.

IMPORTANT

1. The installer must be a trained service engineer
2. Disconnect the power supply before beginning installation

OPERATION

Sensing element

The thermostat sensing element comprises two circular, flexible metal plates welded together at the rims and encapsulating a gas/liquid combination whose pressure changes in response to variations in temperature. This dual-diaphragm expands and contracts with ambient temperature changes to operate a snap-acting switch which controls the heating or cooling circuit.

Heat anticipator

It is recommended that the heat anticipator is always connected for both heating and cooling operation.

Switches

All switches are slide switches for ease of operation.

The ON/OFF switch is a system on/off switch, as it removes power from the thermostat.

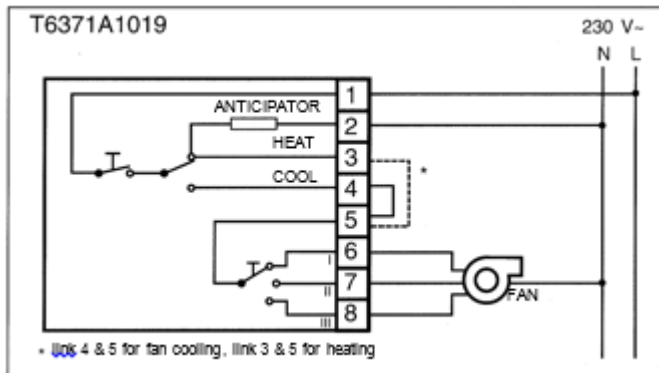
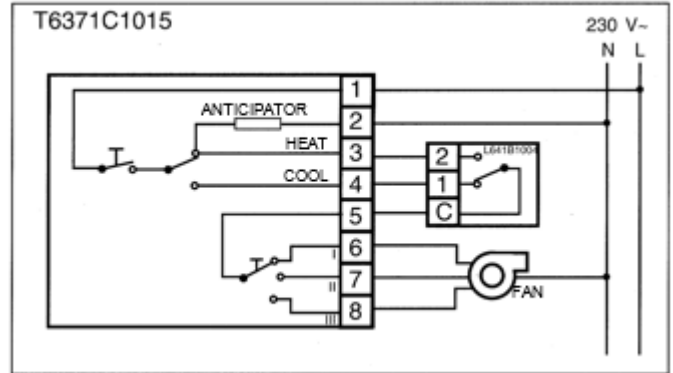
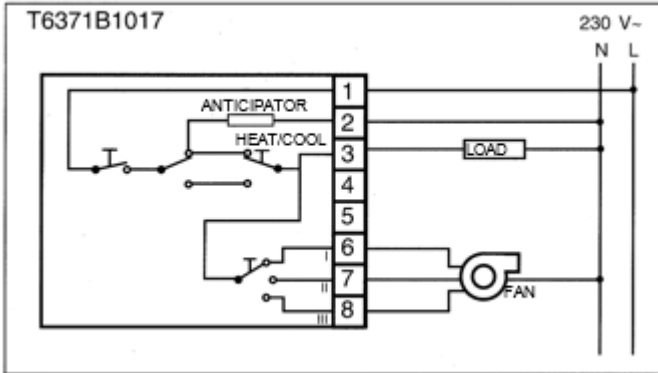
The FAN SPEED switch allows selection of 3 different fan speeds, 1 (low), 2 (medium), and 3 (high)

The SPDT HEAT/COOL switch allows selection of either heating or cooling operation. There is only a single output connection capable of powering a fan or a single zone valve in a 2-pipe fan-coil unit.

Application

		T6371A 1019	T6371B 1017	T6371C 1015
Application	Ventilation 2-pipe fan-coil 4-pipe fan-coil Heatpump Air-conditioner	☉ ☉	☉ ☉	☉ ☉
Control Capability	Heat or Cool Heat/cool Changeover (auto or manual) Fan control (auto or cont) Fan speed control Valve control Compressor control	☉ auto ☉	 manual auto ☉	 auto auto ☉

WIRING



**Institut
Automatització, S.L.**

c\ Gomis, 29-33, 08023 BARCELONA

Tel.: 93 454 20 06

Fax: 93 323 70 59

iac@instauto.com

www.instauto.com

www.
**TODO-
CONTROL**.com
SOLUCIONES PARA AUTOMATIZACIÓN Y CLIMATIZACIÓN

Honeywell