

## HRA80 EXTERNAL ANTENNA

### PRODUCT DATA



### FEATURES

- Bi-directional communication
- Length of the antenna cable can be max. 30m
- Up to 3 underfloor heating controllers can be connected to one antenna

### GENERAL

The external antenna HRA80 is used to be connected on the underfloor heating controllers HCE80 and HCE80R to receive and transmit data from the allocated devices. The antenna module includes the transceiver 868,3MHz.

### SPECIFICATIONS

#### ELECTRICAL

**Operating Voltage** : Powered by the connected controller

#### RF Communication

**RF band** : 868,3 MHz Transceiver

**Receiver class** : 2

**RF communication range** : 30m in a residential building environment

**RF communication Technology** : short, high rate transmission to minimize air time and avoid collisions

#### ENVIRONMENTAL and STANDARDS

**Storage temperature** : -20 ... +55 °C

**Operating temperature** : 0 ... +50 °C

**Dimensions (HxWxD)** : 90 x 85 x 30 mm

**Humidity** : max. 5 ... 90 %

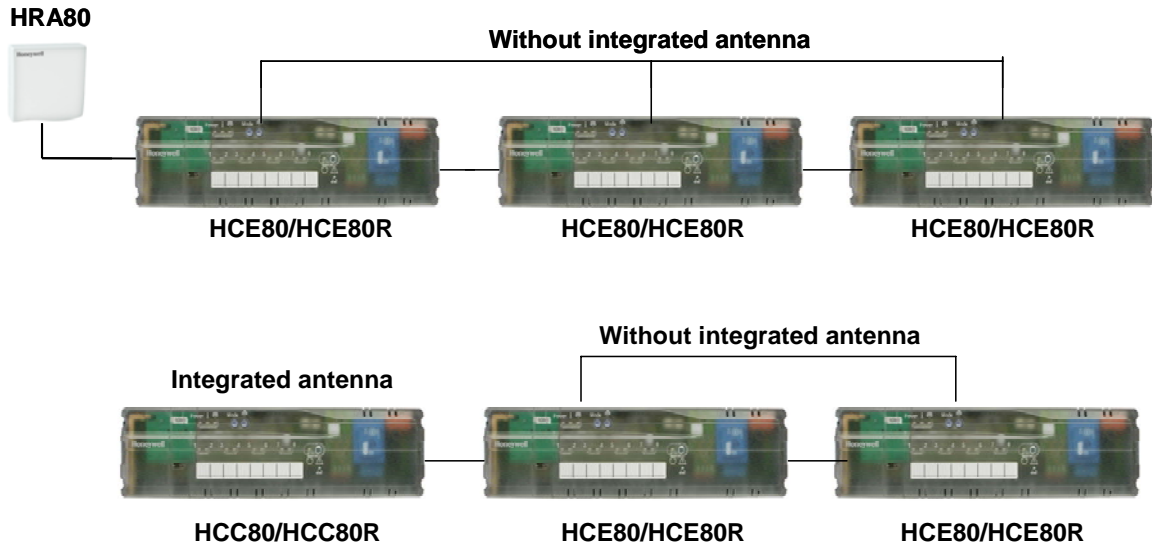
**IP class** : IP30

**Compatible products** : HCE80, HCE80R,

**Approval** : CE

## Application

Up to 3 controllers can be connected to one antenna external antenna HRA80 HCE80/HCE80R or internal antenna HCC80/HCC80R. The cable length of the antenna can be max. 30 m.  
Communication 868,3 MHz



**Honeywell**



*Institut*  
**Automatització, S.L.**

c\ Gomis, 29-33, 08023 BARCELONA

Tel.: 93 454 20 06  
Fax: 93 323 70 59

iac@instauto.com  
www.instauto.com

www.  
**TODO-CONTROL**.com  
SOLUCIONES PARA AUTOMATIZACIÓN Y CLIMATIZACIÓN

**DIN EN ISO**  
**9001/14001**