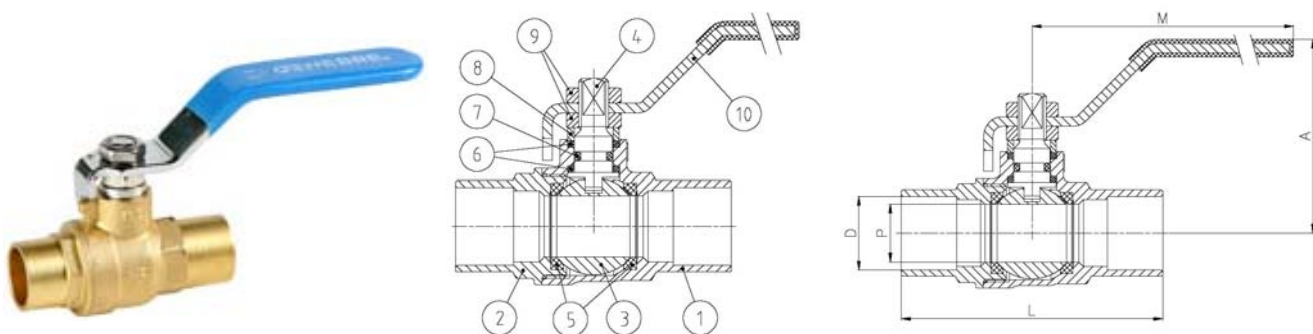


Art.: 3081

Válvula de esfera para soldar / Welding ball valve

| Características | Features |
|--|---|
| 1. Válvula esfera con paso total. | 1. Ball valve with full bore. |
| 2. Construcción en latón s/ UNE-EN 12165. | 2. Brass construction acc/ UNE-EN 12165. |
| 3. Extremos para soldar a tubería de cobre. | 3. Copper welded ends. |
| 4. Accionamiento mediante palanca de acero. | 4. Working by means of steel lever handle. |
| 5. Temperatura de trabajo desde -20°C a 110°C. | 5. Working temperature from -20°C to 110°C. |
| 6. Presión máxima de trabajo 16 bar (PN 16). | 6. Maximum working pressure 16 bar (PN 16). |
| 7. Asientos PTFE. | 7. PTFE Seats. |



| Nº | Denominación / Name | Material | Acabado Sup. / Surface Treatment |
|----|----------------------------|------------------------|----------------------------------|
| 1 | Cuerpo / Body | Latón / Brass (CW617N) | Granallado / Peened |
| 2 | Tapa / Cap | Latón / Brass (CW617N) | Granallado / Peened |
| 3 | Esfera / Ball | Latón / Brass (CW617N) | Cromado / Chrome plated |
| 4 | Eje / Stem | Latón / Brass (CW617N) | Cromado / Chrome plated |
| 5 | Asientos / Ball seats | PTFE | - |
| 6 | Anillo prensa/Stem packing | PTFE | - |
| 7 | Tórica / O-Ring | NBR | - |
| 8 | Anillo prensa / Stem ring | Latón / Brass | Cromado / Chrome plated |
| 9 | Tuerca / Nut | Latón / Brass | Cromado / Chrome plated |
| 10 | Maneta / Handle | Acero / Steel | Dacromet / Dacromet |

| Ref. | Medida / Size | Dimensiones / Dimensions (mm) | | | | Peso / Weight (Kg) |
|---------|---------------|-------------------------------|----|-----|-----|--------------------|
| | D | P | A | L | M | |
| 3081 15 | Ø 15 | 12 | 46 | 57 | 84 | 0,135 |
| 3081 18 | Ø 18 | 15 | 47 | 64 | 84 | 0,165 |
| 3081 22 | Ø 22 | 20 | 58 | 72 | 98 | 0,265 |
| 3081 28 | Ø 28 | 25 | 61 | 85 | 98 | 0,380 |
| 3081 35 | Ø 35 | 32 | 75 | 96 | 135 | 0,825 |
| 3081 42 | Ø 42 | 40 | 80 | 115 | 135 | 1,170 |
| 3081 54 | Ø 54 | 50 | 90 | 140 | 165 | 1,850 |

DIAGRAMA PÉRDIDA DE CARGA / HEAD LOSS CHART

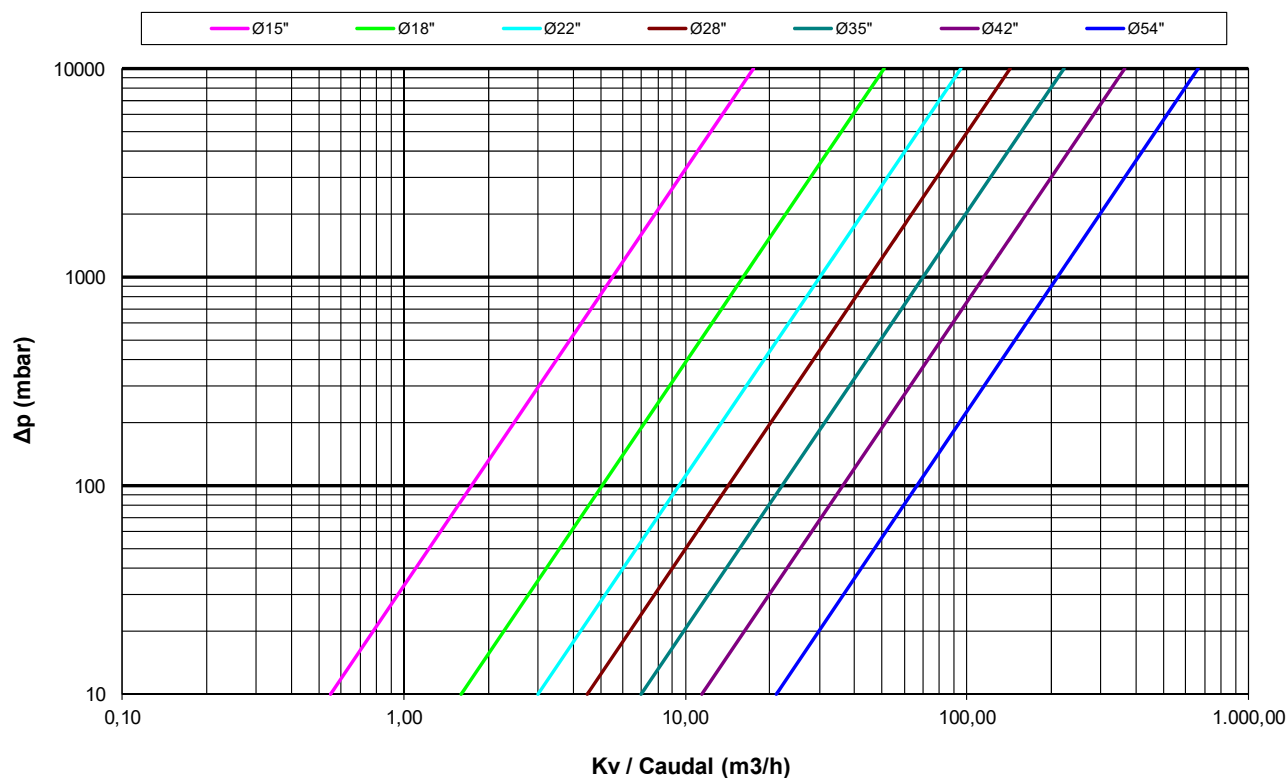
(Válvulas paso reducido roscadas / Threaded ends reduced bore ball valves)

Valores de Kv / Kv Values:

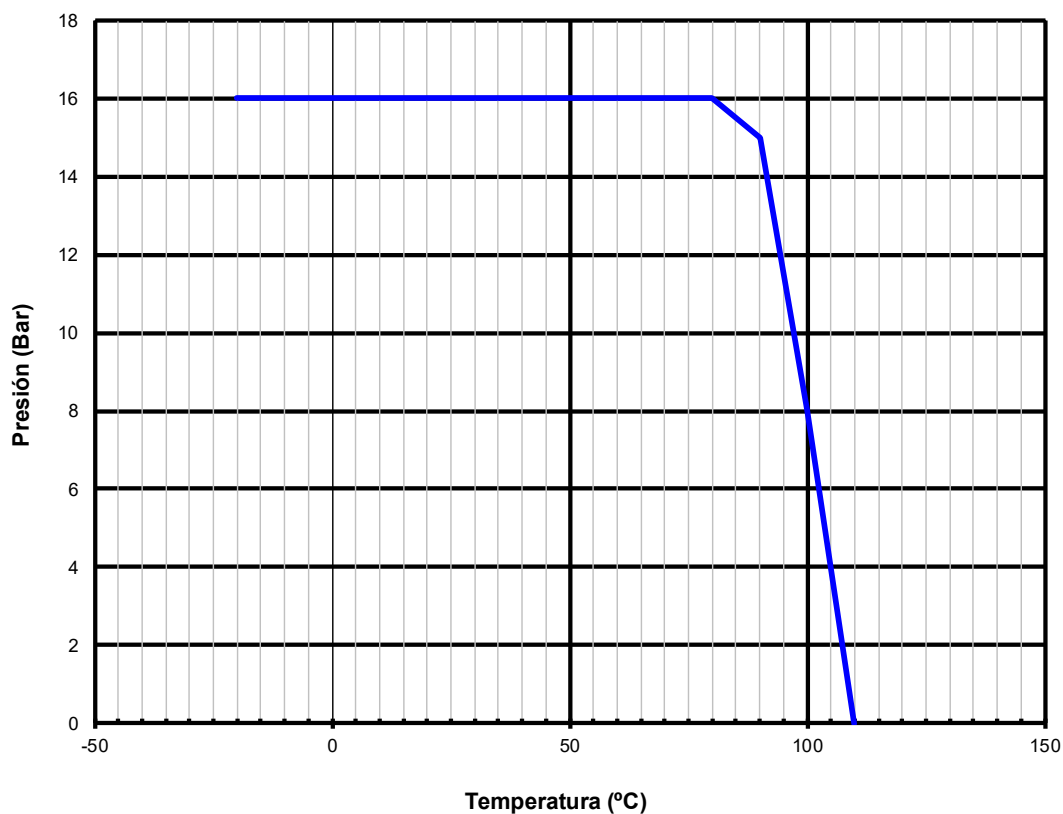
Kv = Es la cantidad de metros cúbicos por hora que pasará a través de la válvula generando una pérdida de carga de 1 bar.

Kv = The flow rate of water in cubic meters per hour that will generate a pressure drop of 1 bar across the valve.

| Medida / Size | Ø15 | Ø18 | Ø22 | Ø28 | Ø35 | Ø42 | Ø54 |
|---------------|-----|-----|-----|-----|-----|-----|-----|
| Kv | 5.5 | 16 | 30 | 45 | 70 | 115 | 210 |



CURVA PRESIÓN - TEMPERATURA / PRESSURE - TEMPERATURE RATING



VISITA NUESTRA TIENDA ONLINE:
www.calemur.es