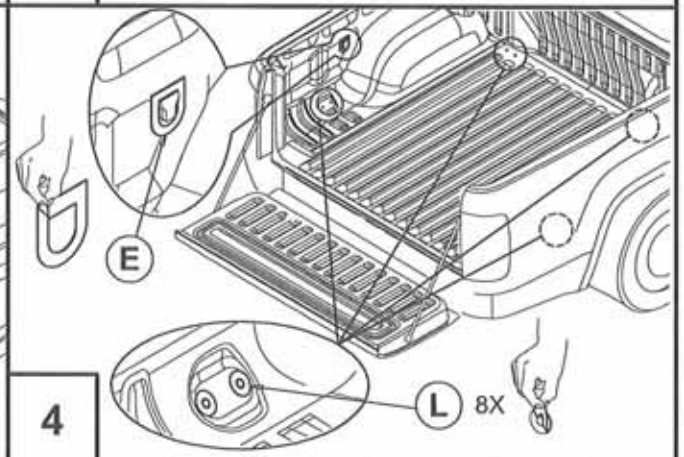
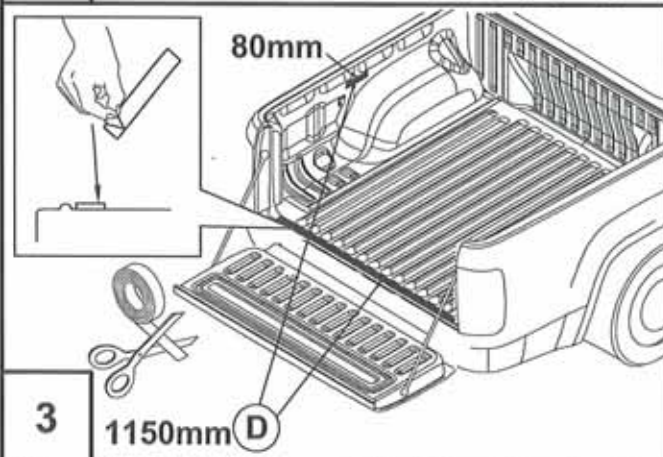
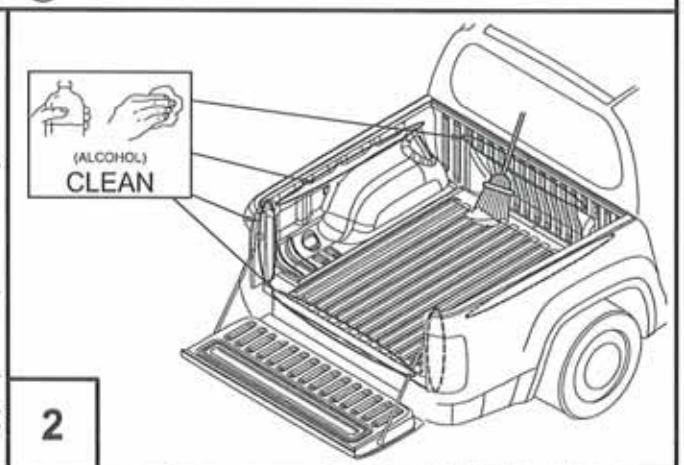
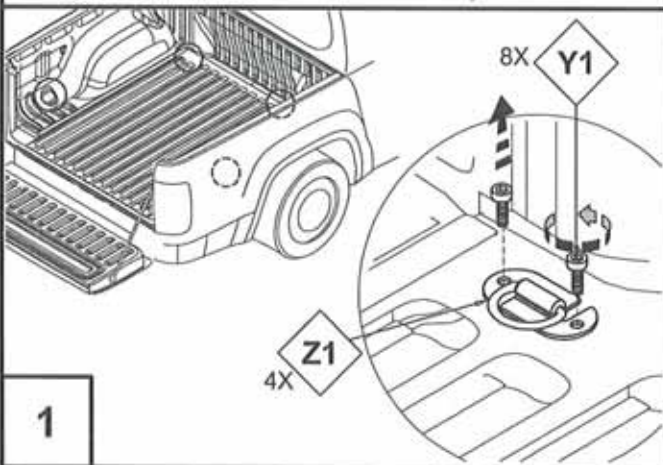




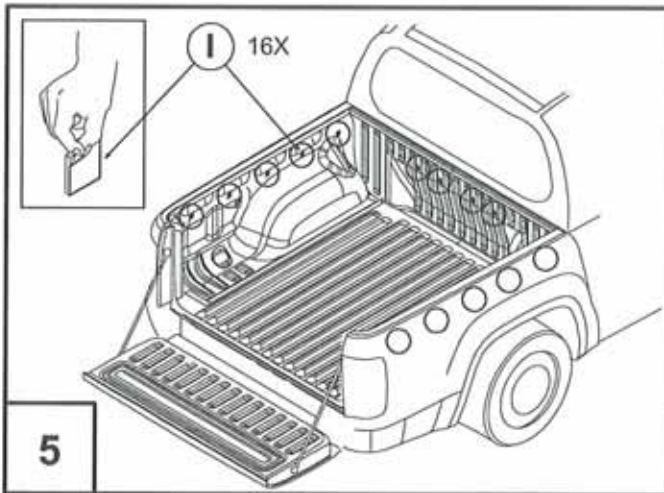
K504-Volkswagen-Amarok-2010-VW Zubehoer-DC-UR

<p><b>A</b></p> <p>1X</p>	<p><b>B</b></p> <p>1X</p>	<p><b>C</b></p> <p>10x1" Screw 7X</p>	<p><b>D</b></p> <p>1X</p>	
<p><b>E</b></p> <p>1X</p>	<p><b>F</b></p> <p>4X</p>	<p><b>G</b></p> <p>4X</p>	<p><b>H</b></p> <p>1X</p>	
<p><b>I</b></p> <p>16X</p>	<p><b>J</b></p> <p>2X</p>	<p><b>K</b></p> <p>4X</p>	<p><b>L</b></p> <p>8X</p>	<p><b>M</b></p> <p>M8x30mm 8X</p>

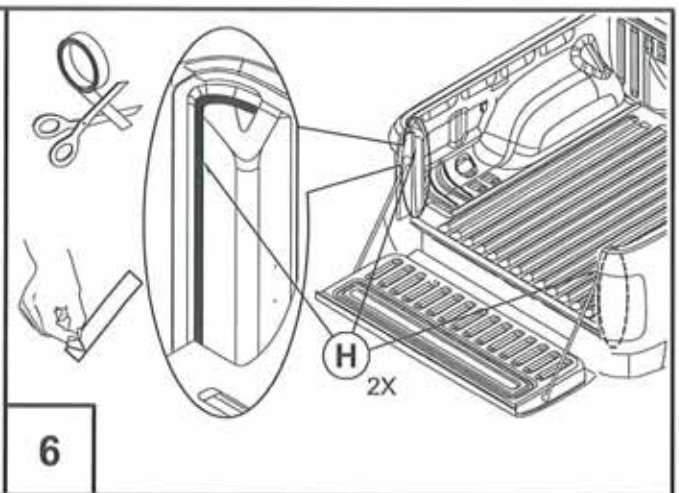
◇ = EXISTING PART    ○ = NEW PART



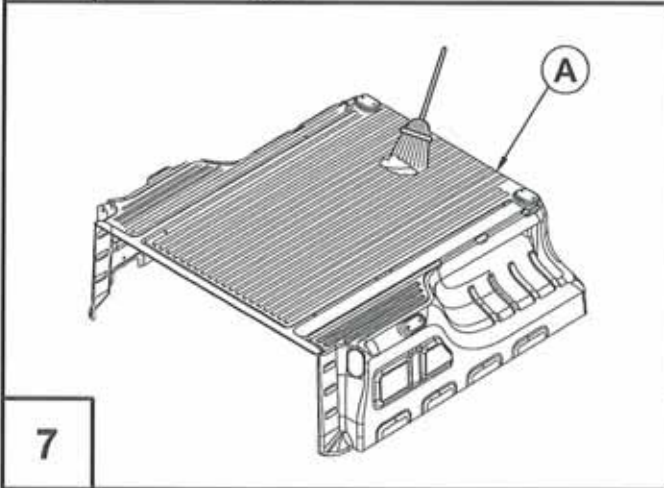
Fitting Kit Number	Manufacturer	Model Type	Year	Customer	Cab Size	UR or OR	Revision	Date	Page
IDFK504	Volkswagen	Amarok	2010	VW ZUBEHOER	DC	Under Rail	6	25-03-11	1 of 4



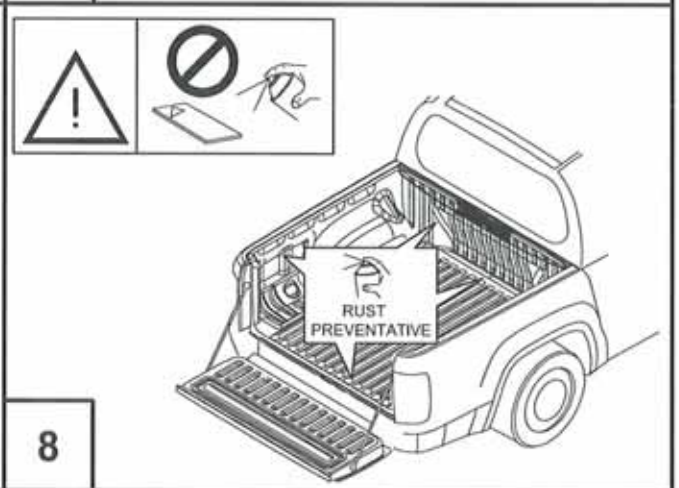
5



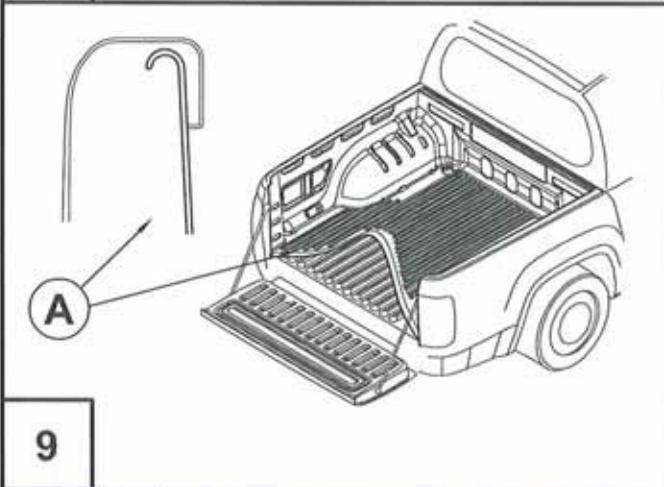
6



7



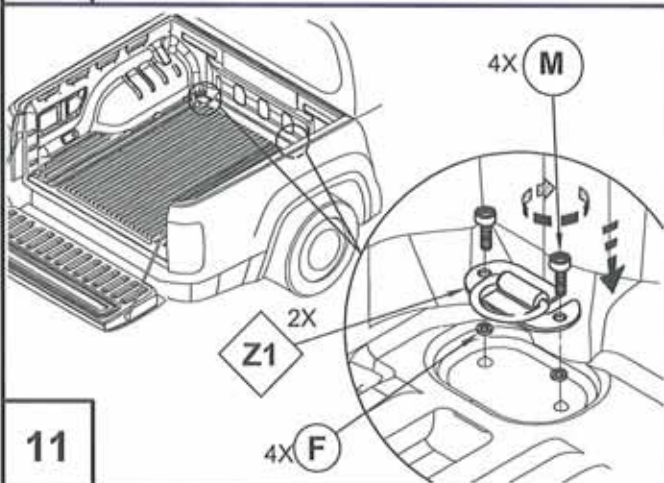
8



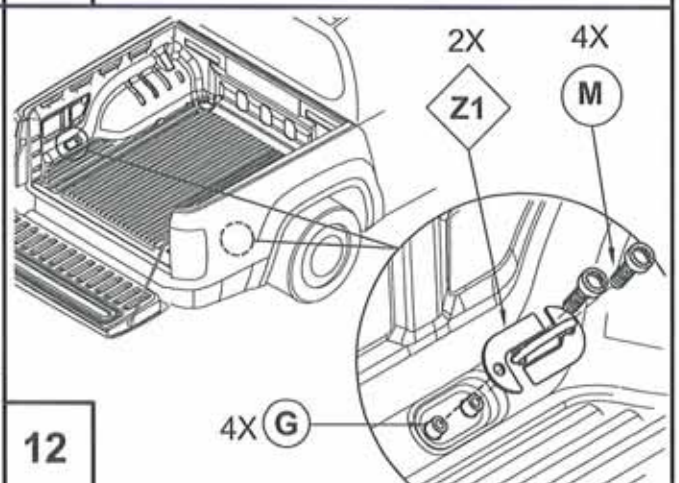
9



10

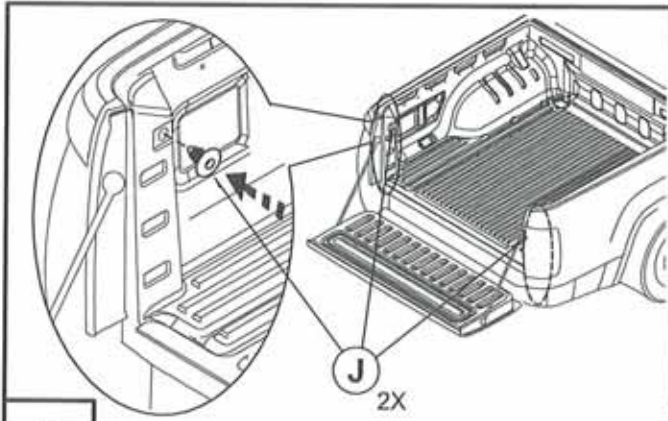


11

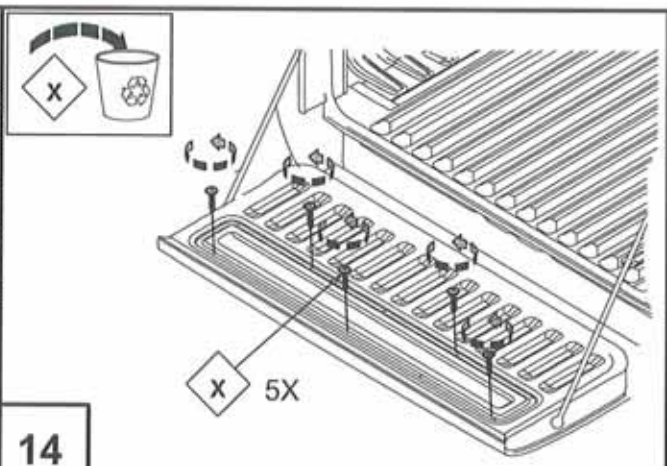


12

Fitting Kit Number	Manufacturer	Model Type	Year	Customer	Cab Size	UR or OR	Revision	Date	Page
IDFK504	Volkswagen	Amarok	2010	VW ZUBEHOER	DC	Under Rail	6	25-03-11	2 of 4



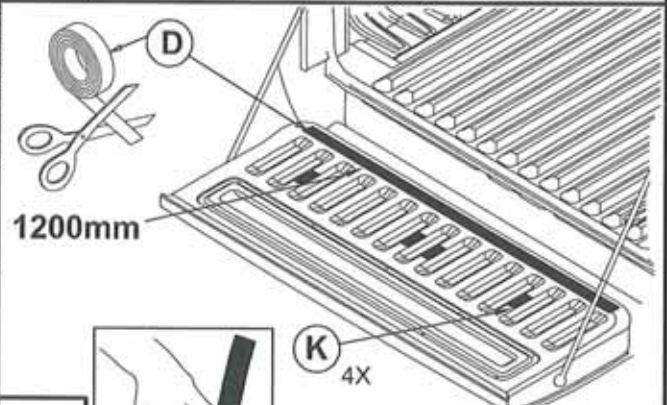
13



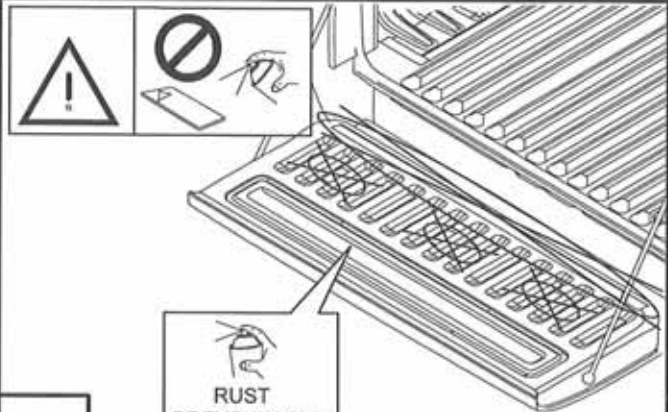
14



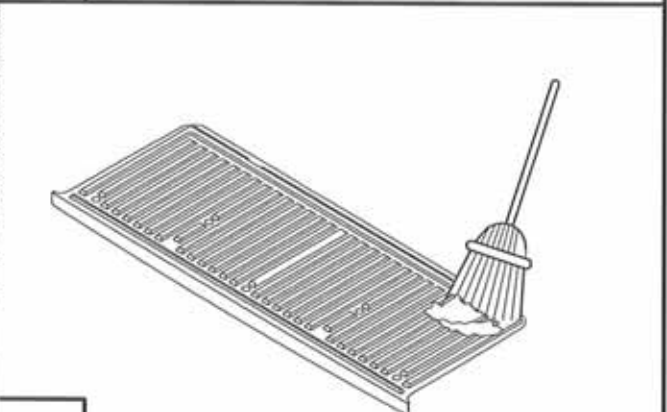
15



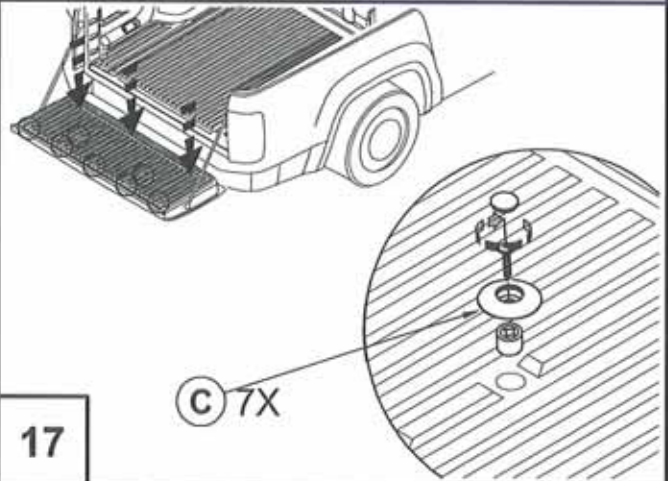
16



17



18



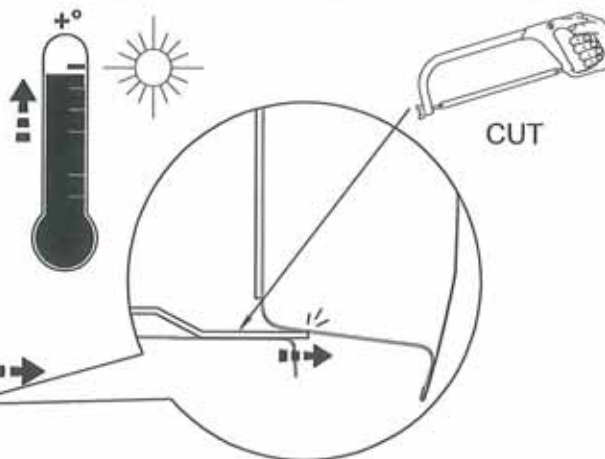
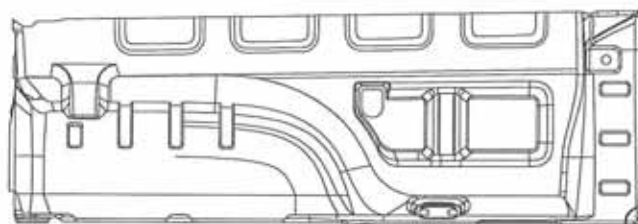
17

Fitting Kit Number	Manufacturer	Model Type	Year	Customer	Cab Size	UR or OR	Revision	Date	Page
IDFK504	Volkswagen	Amarok	2010	VW ZUBEHOER	DC	Under Rail	6	21-03-11	3 of 4



### OPTIONAL MAINTENANCE

The plastic liner may expand in very hot conditions. If the length of the liner is a problem in hot conditions it may be necessary to trim the length of the liner.



Fitting Kit Number	Manufacturer	Model Type	Year	Customer	Cab Size	UR or OR	Revision	Date	Page
IDFK504	Volkswagen	Amarok	2010	VW ZUBEHOER	DC	Under Rail	6	25-03-11	4 of 4