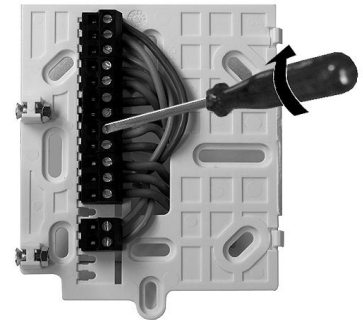
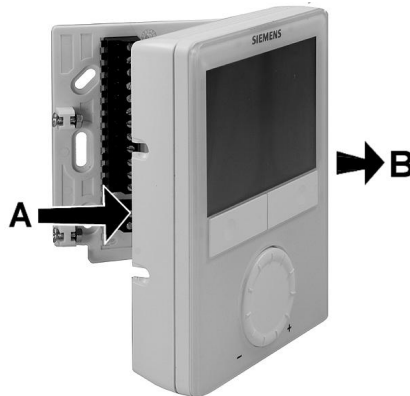
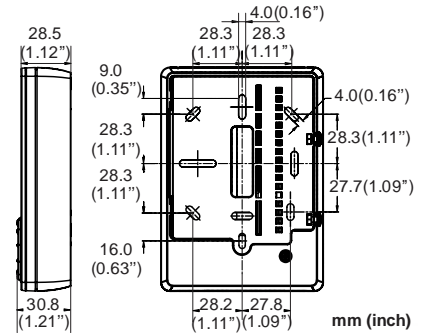
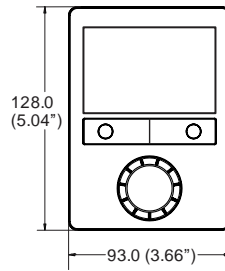
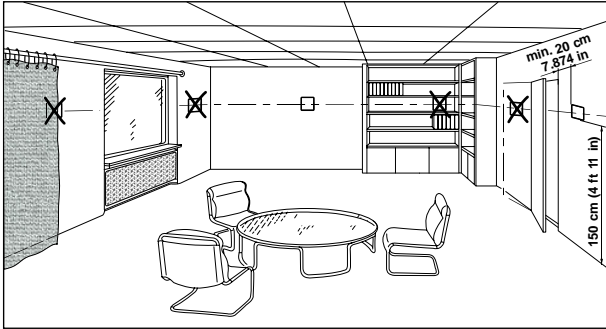


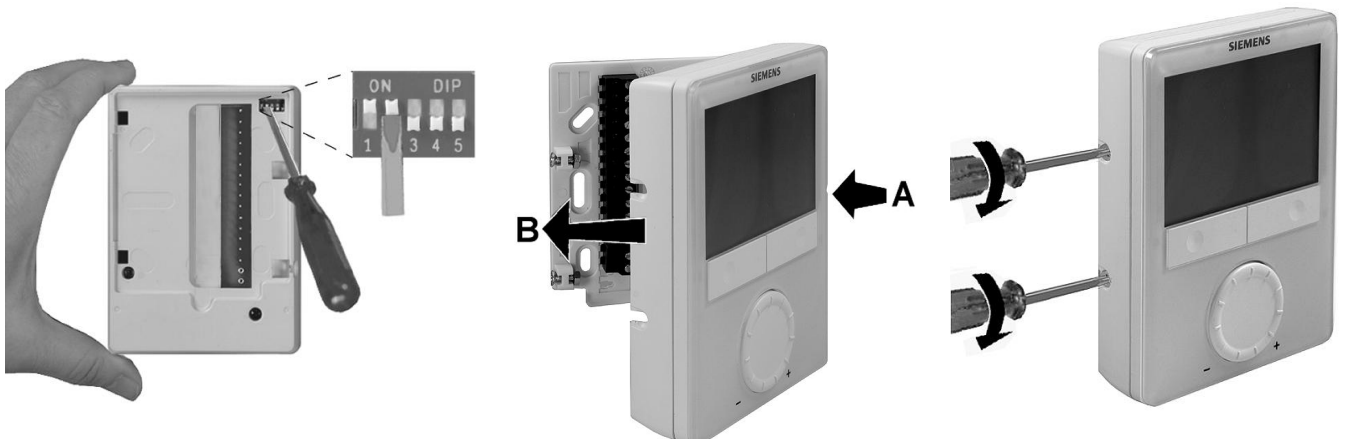
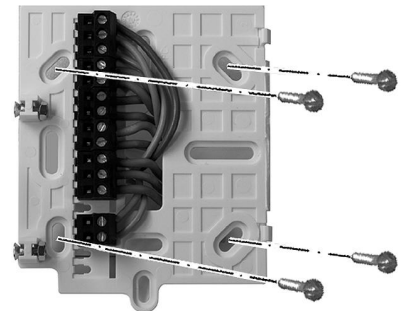
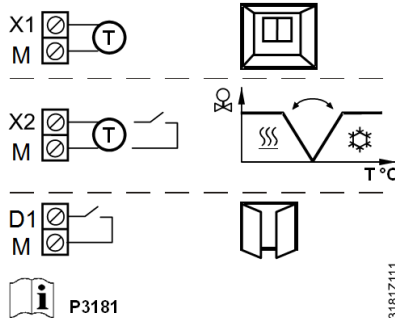
RDG110

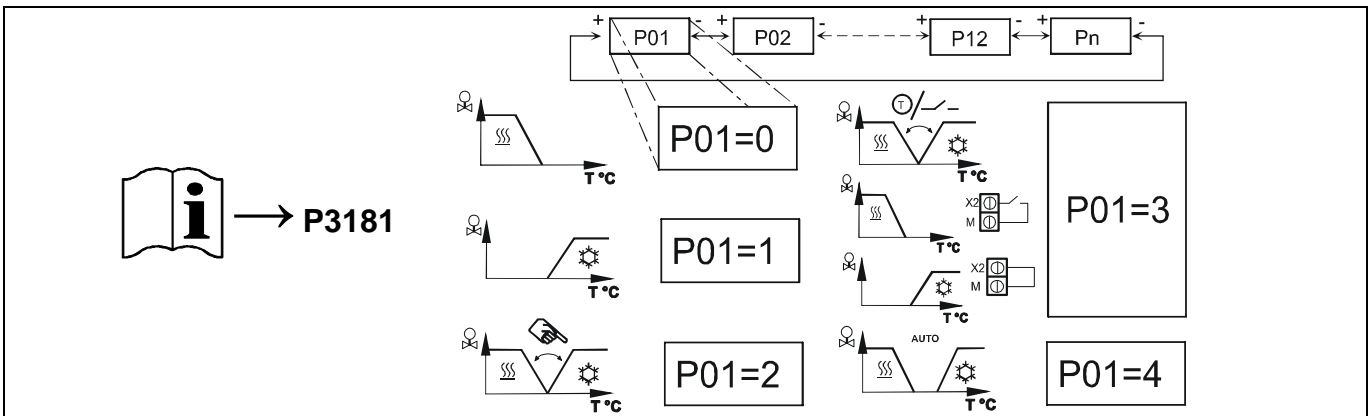
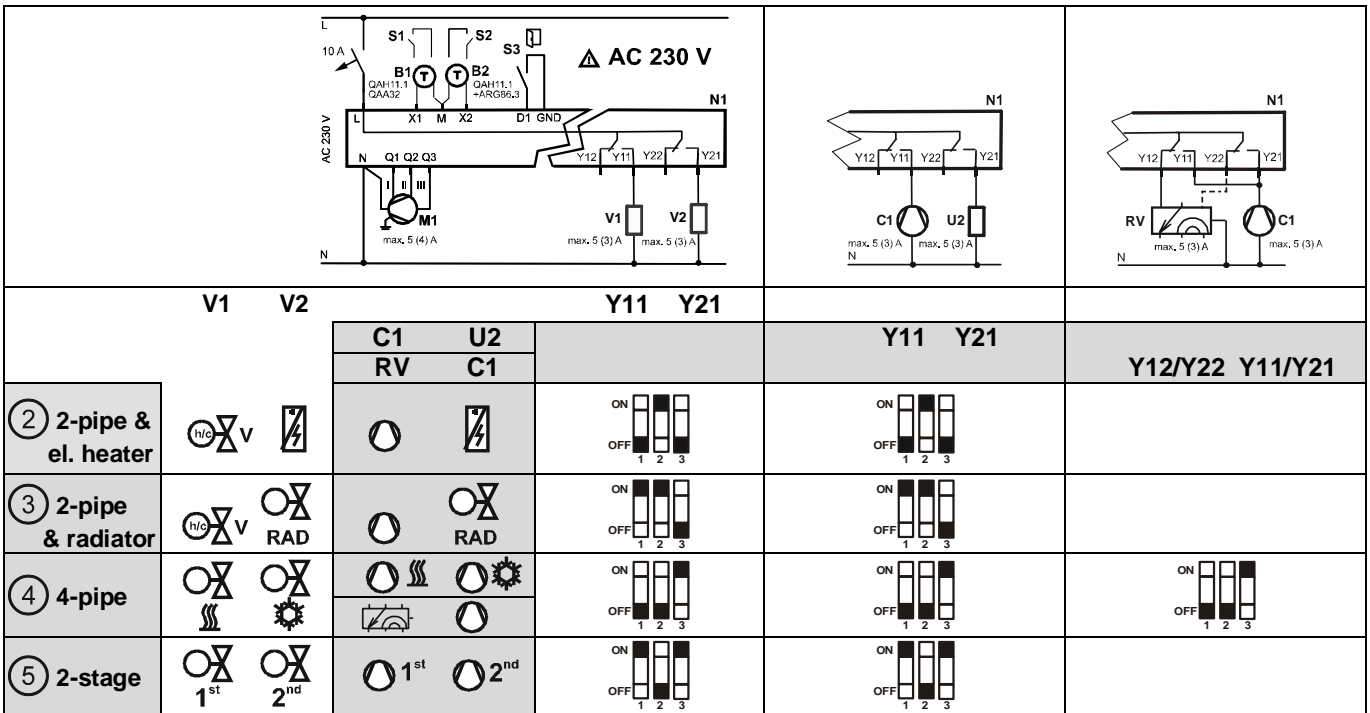
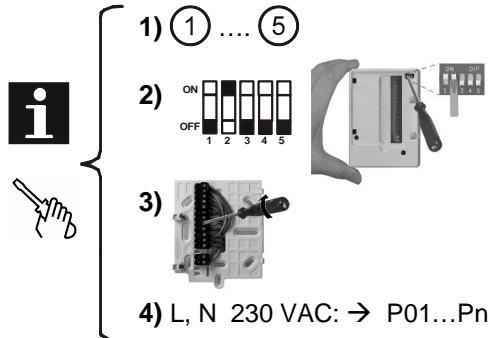
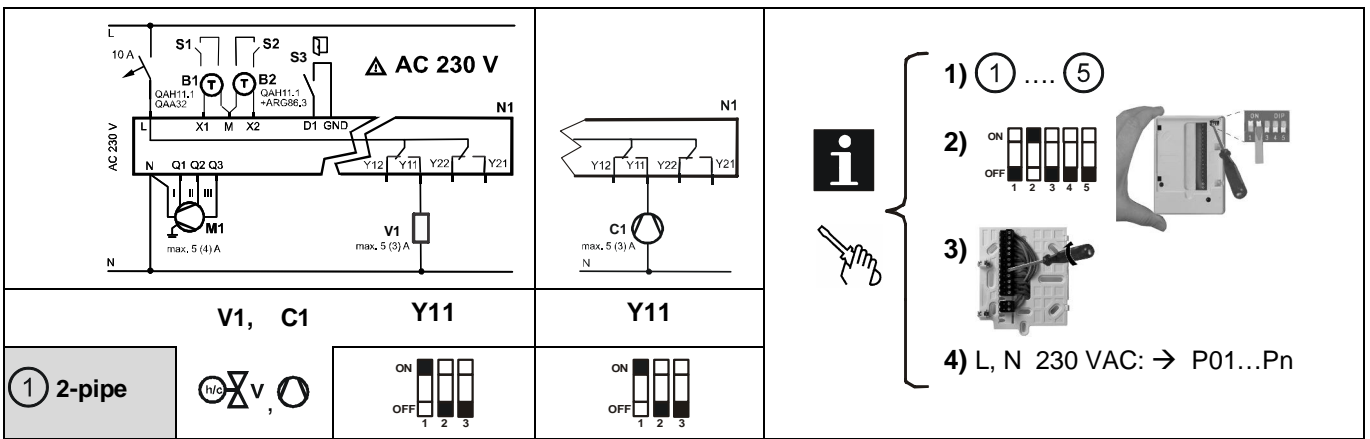


Max. 1 x 2.5 mm² (1 x 14 gauge)
Max. 2 x 1.5 mm² (2 x 16 gauge)



Max. 80 m (262 feet)





| | en | de | fr | it | es | cs | tr |
|----------|---------------------|----------------------------------|--|---|-----------------------------|---------------------------------|------------------------|
| 1 | 2-pipe fan coil | 2-Rohr Ventilator-konvektor | Ventiloconvecteur 2 tubes | Fan coil 2 tubi | Fancoil a dos tubos | 2-trubkový fan-coil | 2 borulu fan coil |
| 2 | 2-pipe & el. heater | 2-Rohranwendung & Elektroheizer | Application 2 tubes & batterie électrique | Fan coil 2 tubi con batteria elettrica di riscaldamento | 2 tubos & batería eléctrica | 2-trubkový fan-coil & el. ohřev | 2 borulu& elk. Isıtıcı |
| 3 | 2-pipe & radiator | 2-Rohranwendung & Radiatorventil | Application 2 tubes & vanne thermostatique | Fan coil 2 tubi e radiatore | 2 tubos & rad | 2-trubkový fan-coil & radiátor | 2 borulu& radyatör |
| 4 | 4-pipe fan coil | 4-Rohr Ventilator-konvektor | Ventiloconvecteur 4 tubes | Fan coil 4 tubi | Fancoil a 4 tubos | 4-trubkový fan-coil | 4 borulu fan coil |
| 5 | 2-stage | 2-Stufen-Anwendung | Application à 2 étages | 2 stadi | 2 etapas | 2-stupňový | 2 kademe |